

Specification

M16B LED Module Series

Features

- Unique patented IP68 LED light engines;
- Lumileds LED ;
- Super long lifetime (lumen maintenance);
- Ultra-high lighting efficiency, low power consumption;
- Multiple lighting distributions available;
- Wide applicability for Complex situations.



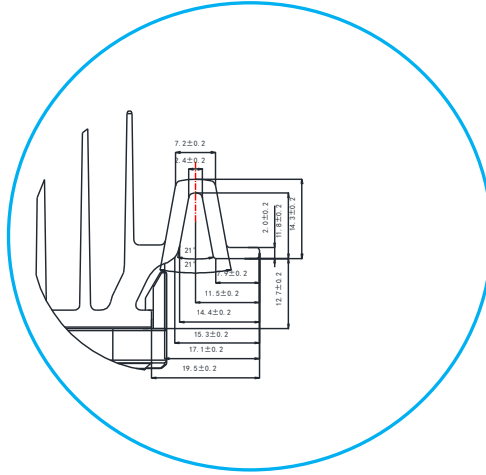
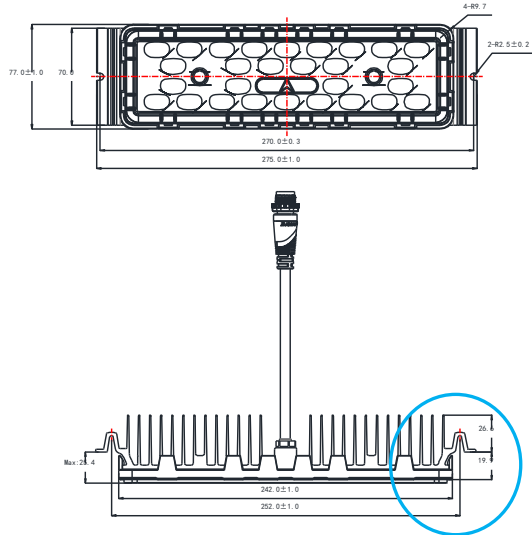
Applications

- Street Light
- Tunnel Light
- Flood Light
- High Bay Light
- Traditional retrofit light

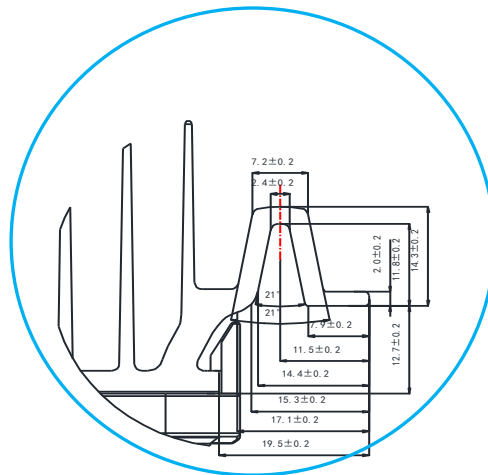
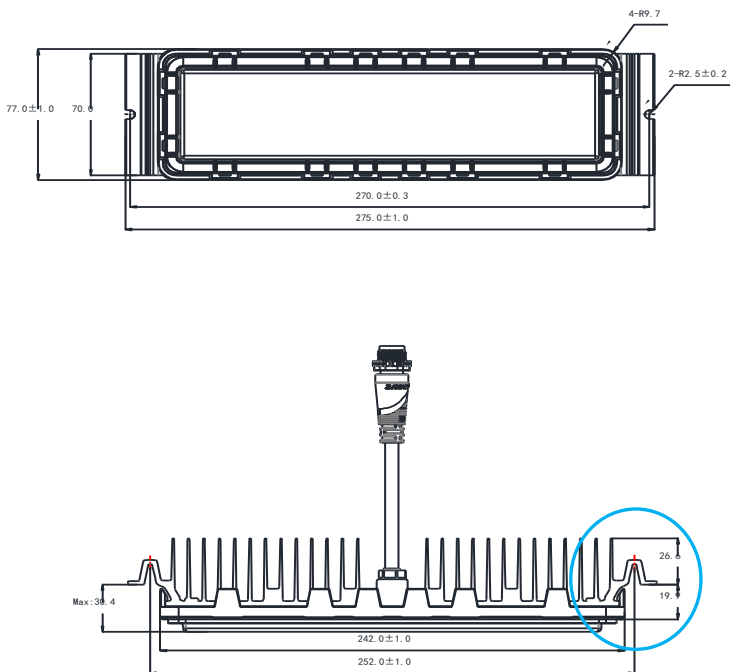
HPWINNER

M16B LED Module Series (Ver.2.1)

Dimensions and Weight



Size	275x77x52*(mm)
Weight	0.67±0.03 (kg)



Size	275x77x57*(mm)
Weight	0.67±0.05 (kg)

*The height of the module is maximum.

Unit: mm

Tolerance: ±0.5mm

Electrical and Photometric Specifications

Model	Power @Power Efficiency= 90%	Drive Current (mA)	Efficacy (lm/W)	Initial Lumens (lm)	DC Input Voltage (V)	CCT (K)	CRI	Beam Type		Lighting Source
M16B	30	600 (9P2S)	155±8	4650±240	40~54	3000 4000 5000 5700	≥70	25° 40° 60° 90°	Type I Short Type II Short Type II Medium	Lumileds
		600 (14P2S)	163±8	4890±240						
	40	800 (9P2S)	150±8	6000±320						
		800 (14P2S)	158±8	6320±320						
	50	1000 (9P2S)	143±8	7150±400						
		1000 (14P2S)	152±8	7600±400						
	60	1200 (9P2S)	135±8	8100±480						
		1200 (14P2S)	145±8	8700±480						

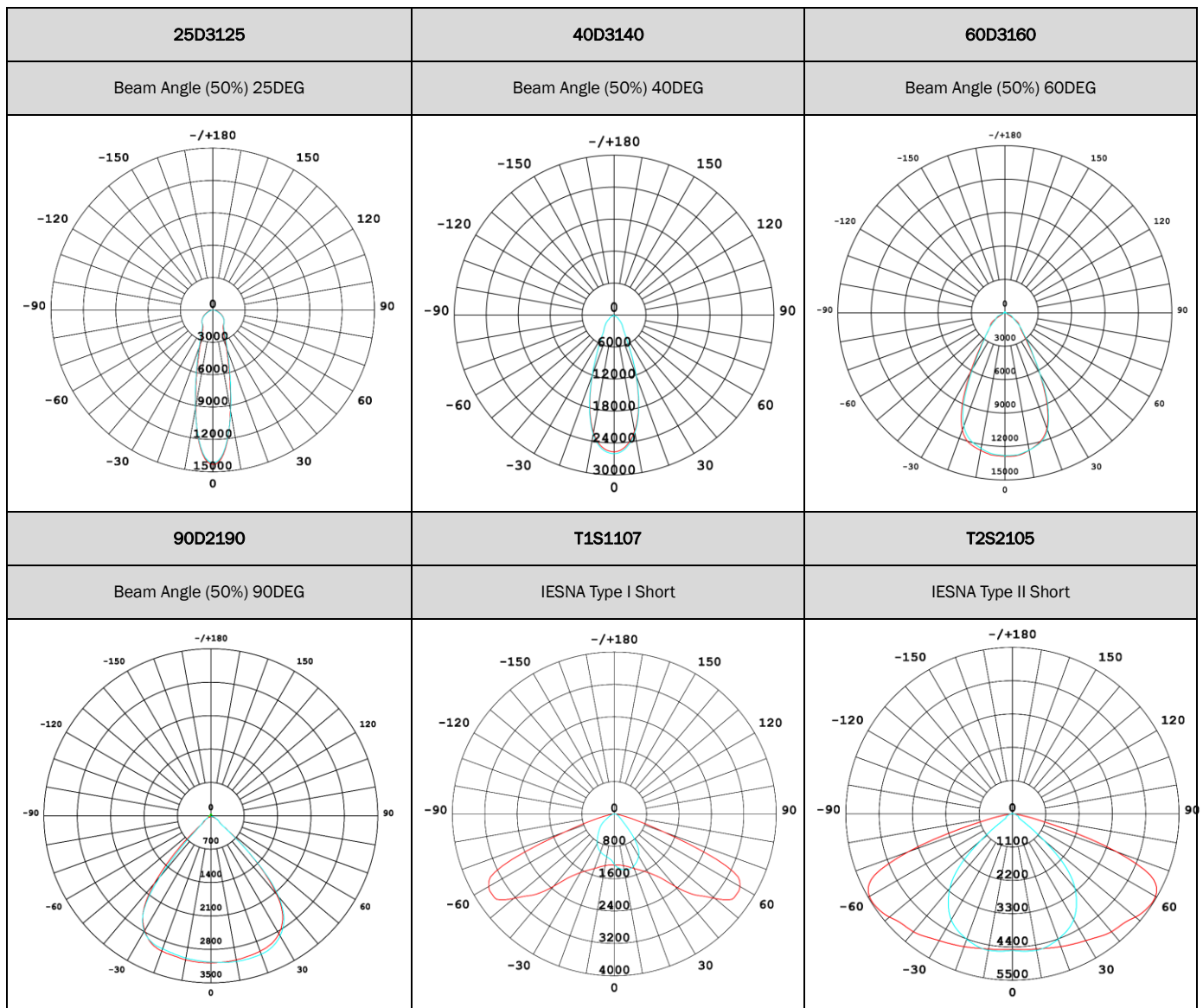
Note: Above are all typical values

Environmental Specifications

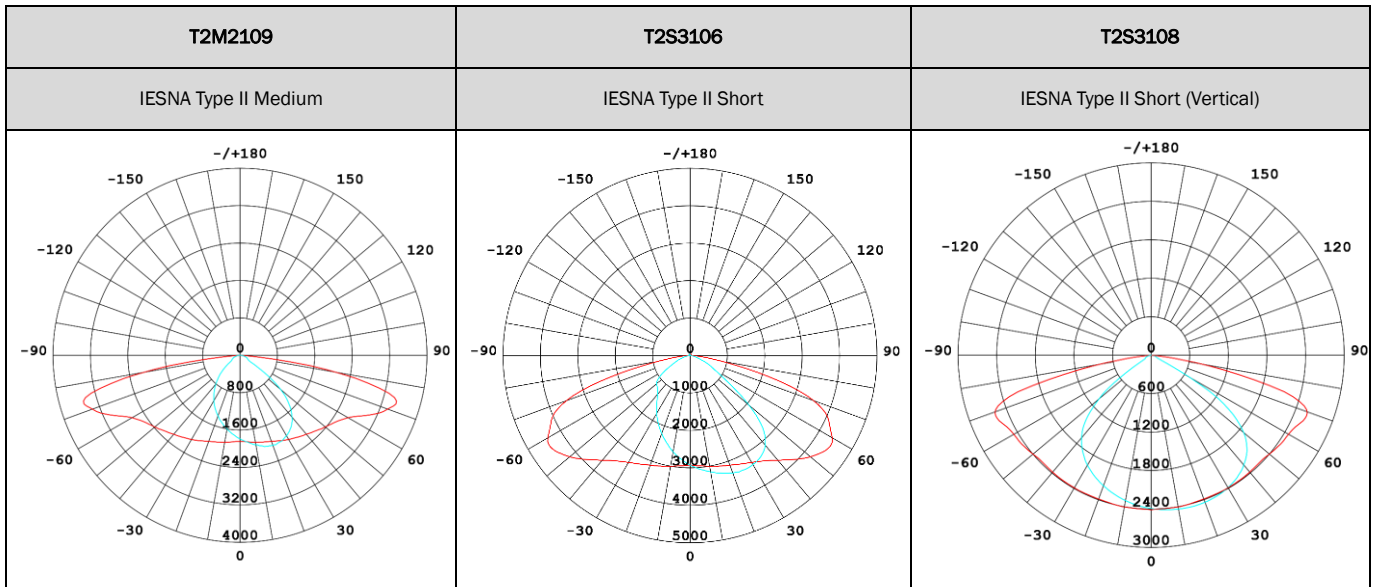
Parameter	Symbol	Rating	Unit
Ts Typical Value	T _s	70	°C
Operating Temperature	T _{opr}	-40 ~ +50	°C
Storage Temperature	T _{stg}	-40 ~ +50	°C
Relative Humidity	RH	10 ~ 90	%
IP Rating	IP	IP68	/

Note : Based on 25°C ambient temperature

Lighting Distribution






Lighting Distribution



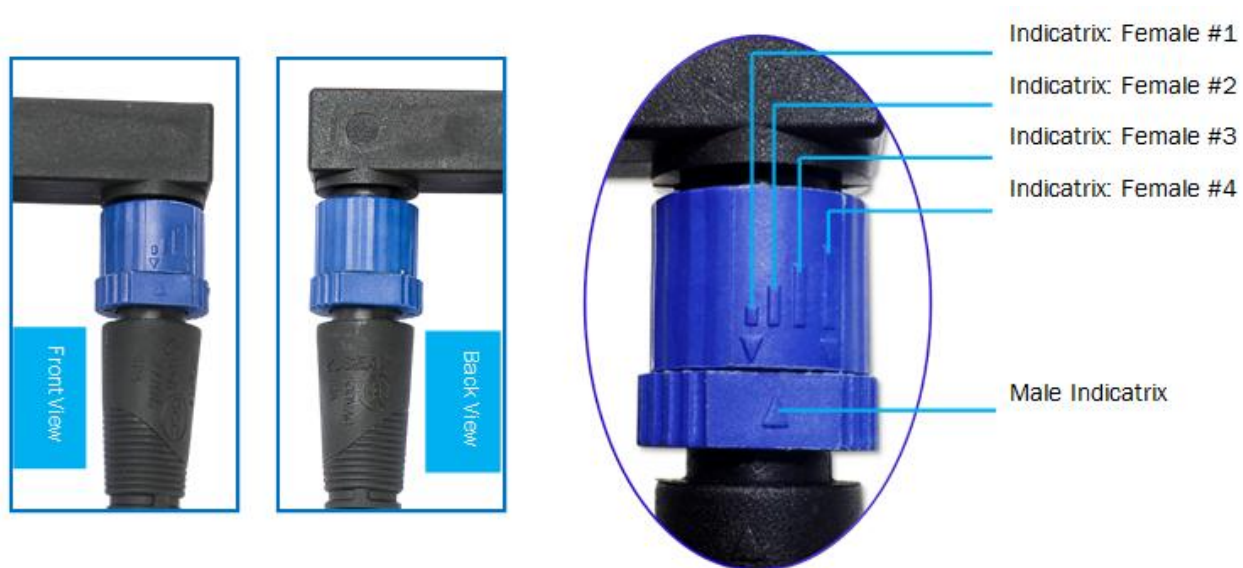
Drivers Recommendation

Driver Description	Specification of Driver	Matched Modules
Driver for 1 module	Max Output Power: 75W Output Voltage : 35~62V	30W@600mA 40W@800mA 50W@1000mA 60W@1200mA
Driver for 2 module	Max Output Power: 105W Output Voltage: 60~150V	40W×2@800mA 50W×2@1000mA
Driver for 2 module	Max Output Power:120W Output Voltage: 60~170 V	60W×2@1200mA
Driver for 2 or 3 module	Max Output Power: 150W Output Voltage: 80~214 V	50W×3@1000mA
Driver for 3 or 4 module	Max Output Power: 200W Output Voltage: 120~305V	60W×3@1200mA 50W×4@1000mA

Waterproof Connectors Recommendation

Picture	Description
	IP68 connector for 2 modules in series (80W/100W/120W)
	IP68 connector for 3 modules in series (120W/150W/180W)
	IP68 connector for 4 modules in series (160W/200W)

Connectors Operation Guide

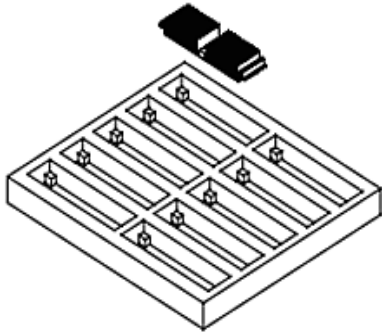


Operation Guide:

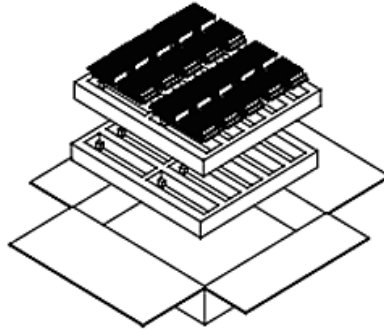
Spin the male terminal clockwise. When the male indicatrix points between indicatrix female #2 and #3, and the gap between male and female terminals is extremely small, the connectors are well connected; otherwise, there will be risks in its waterproof performance.

When the gap between male and female terminals is extremely small, if any looseness can be sensed, please spin the male terminal clockwise until tight.

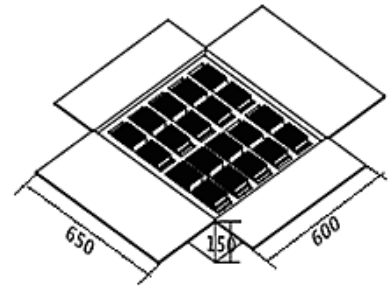
Package Information



10 pcs/tray



2 trays/carton



20 pcs/carton

Notes:

1. Packing dimensions: 650*600*150mm
2. Total weight for the packing: 16.2kg (weight of the empty packing is 2.8kg)

Above data are all typical values which are for reference only.

Ordering Information

Sample Number: M16B-25-L-3125-7-40

Module Type	LED qty	LED Brand	Lens code	CRI	CCT
M16B	28 28pcs LED	L LUMILEDS	3125 25Degree	6 Ra ≥ 60	30 3000K
		C CREE	3140 40Degree	7 Ra ≥ 70	40 4000K
		O OSRAM	3160 60Degree	8 Ra ≥ 80	50 5000K
		N NICHIA	2190 90Degree	9 Ra ≥ 90	57 5700K
		S SAMSUNG	1107 TYPE I Short		
			2105 TYPE II Short		
			2109 TYPE II Medium		
			3106 TYPE II Short		
			3108 TYPE II Short(V)		

Version History

Change Date	Ver.	Description of Change		
		Item	From	To
2017/8/21	Ver.2.0	Data sheet release	/	/
2017/10/13	Ver.2.1	Optimize dimensioning		Add dimensioning