

Installation Instructions

Descriptions

The luminaire contains a constant-current driver and LED light sources. It works under technical conditions as the product labels indicate.

Technical Parameter

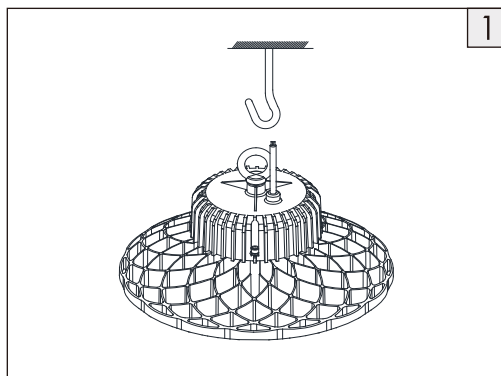
| LED High Bay Light | | | | | | | | | |
|----------------------|-----------------------------------|-----------------------------------|-----------------------------------|-----------------------------------|-----------------------------------|--------------------------------------|-----------|---------|--|
| Type | C | | | | | D | | | |
| Power | 150W | | | | | 240W | | | |
| Input Voltage | <input type="checkbox"/> 100-240V | <input type="checkbox"/> 100-277V | <input type="checkbox"/> 220-240V | <input type="checkbox"/> 120-277V | <input type="checkbox"/> 277-480V | <input type="checkbox"/> Other _____ | Frequency | 50/60Hz | |
| Power Factor | 0.95 | | | | | | | | |
| Working Environment | -40°C~+45°C | | | | | | | | |
| Mounting Height | 4~25m | | | | | | | | |
| Dimensions | Φ315x180mm | | | | | Φ365x190mm | | | |
| Net Weight | 3.1kg | | | | | 4.6kg | | | |
| Project Area | 0.077m ² | | | | | 0.105m ² | | | |
| Degree of Protection | <input type="checkbox"/> IP65 | | | | | | | | |

Notes: N.W. and dimensions above are based on SOSEN drivers. Other brands drivers are subject to tolerance of 5%.
The power above are maximum rated power of the model subject to tolerance of 10%.

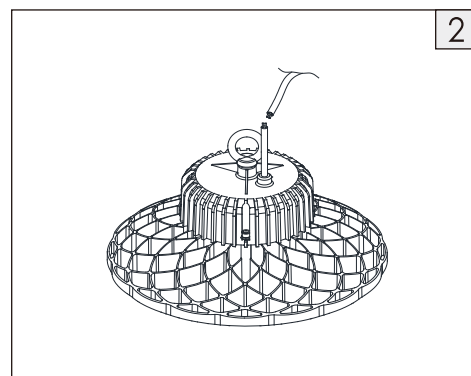
Applications

Large rooms such as venue, hall, warehouse, factory, gas station, sports center, mall, supermarket, exhibition center, etc.

Installation



1. Mount the luminaire with a hook or chains.



2. Connect the input wires to AC power supply correctly.
Installation finished.

Specifications of Hanging Ring

| Power / Specifications of Hanging Ring | 80~100W | 120~150W | 180~200W | 240W |
|--|---------|----------|----------|------|
| MOSO | M10 | M10 | M10 | M10 |
| MEAN WELL | M10 | M10 | M10 | M10 |
| SOSEN (Isolated) | M10 | M12 | M12 | |

Installation Instructions

Wiring

| Power Supply End | Earth wire | Neutral wire | Live wire |
|------------------|-------------------|--------------|------------|
| Fixture End | Yellow-green lead | Blue lead | Brown lead |
| | Green lead | White lead | Black lead |

Caution

- a** Disconnect or turn off power before installation, maintenance and wiring.
- b** Cable connection must be insulated and waterproof.
- c** For luminaires with glass cover: the cover is made of tempered glass which shatters into small pieces without sharp edges when it breaks. Application condition: -30°C~100°C; maximum temperature rise $\Delta t 60^{\circ}\text{C}$.
- d** The light source of this luminaire is not replaceable. When the light source's lifetime comes to an end, it is the whole luminaire that should be replaced.

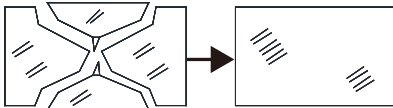
Warning: Danger! Electric shock risk!

(via IEC 60417-6042 (2011-11))

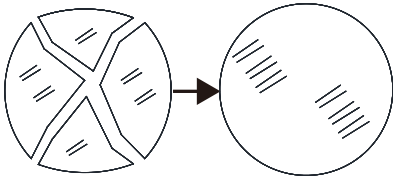


For luminaires with glass cover: The broken cover should be replaced.

Rectangle



Round



The luminaire shall be installed by a qualified electrician and wired in accordance with the latest IEE electrical regulations or the national requirements.



This marking indicates that this product should not be disposed with other household wastes throughout the EU. To prevent possible harm to the environment or human health from uncontrolled waste disposal, recycle it responsibly to promote the sustainable reuse of material resources. To return your used device, please use the return and collection systems or contact the retailer where the product was purchased. They can take this product for environmental safe recycling

Remarks

1. This luminaire uses permanent connection on power supply with flexible cable and wires (60245 IEC57). Sufficient length of cable is reserved for connection to AC power. Protection over the connection joint and elimination of tensile force there should be ensured.
2. This luminaire uses type Z attachment: the external flexible cable or cord of this luminaire cannot be replaced; if the cord is damaged, the luminaire shall be destroyed.
3. Wiring: the connection to AC power should be operated on terminal blocks in a wiring box with a degree of protection at least equivalent to the luminaire, and there should be devices to fixate wires.
4. The luminaire can be mounted onto ordinary combustible surfaces.