

FL19A

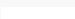

LED Flood Light



Specifications

Input Voltage:	100 ~ 277Vac
Input Frequency:	50 / 60Hz
Power Factor:	0.95
Surge Protection Level:	10kV line-earth
Working Environment:	-40°C ~ +40°C, 10% ~ 90% RH
CCT:	3000K, 4000K, 5000K, 5700K
CRI:	≥70
Housing:	Die-cast aluminum, stainless steel
IP Rating of LED Light Engine:	IP68
IP Rating of LED Driver:	IP67
Warranty:	5 Years Limited

Finishing Colors

	Gray		Black
	White		Dark Gray

Applications

- Large outdoor space lighting (stadium, airport, parking lot....)
- High-mast lighting (square, port...)

Features

Construction

- Die-cast aluminum housing, reliable mechanism.
- Unique patented IP68 LED light engines.

Electrical

- Up to 1500W with a maximum flux output of 225,000lm
- Specialized in stadium lighting while compatible with general flood lighting.

- 3m extension cable between the fixture and drivers

Optical

- Stadium-lighting oriented lighting distribution and CCT available.

Installation

- Bracket adjustable within 180° in both vertical and horizontal directions.
- Stainless steel bracket against harsh environment conditions.
- Laser sight available by option for precise targeting.

Photos



FL19A

LED Flood Light

Ordering Information

Example: FL19A-6-1500-M25A-BA-24-2225-7040-CM-IN-GY

Luminaire Type	Module Qty	System Power	LED Package	Cable Standard	LED Qty per Module
FL Flood light	2 2 Modules	300 300W	A 3535 LEDs	A CCC+VDE	96 96pcs
19A 19A series	4 4 Modules	400 400W	B 5050 LEDs	C PSE	
	6 6 Modules	500 500W		H UL	
		X OTHER	
	900 900W				
	1200 1200W				
		1500 1500W			
Lens Code	CRI & CCT	Brand of LEDs	Driver Brand	Housing Color	
2012 12 degree	7030 Ra≥70, 3000K	LU LUMILEDS	IN INVENTRONICS	WH White	
2318 Sports lighting	7040 Ra≥70, 4000K	SS SAMSUNG	XX OTHERS	BK Black	
2225 25 degree	7050 Ra≥70, 5000K	CM LUMILEDS Customized			
	7057 Ra≥70, 5700K				
1240 40 degree	8030 Ra≥80, 3000K	LN LUMINUS		BU Blue	
	...			GY Gray	
	9057 Ra≥90, 5700K			DG Dark Gray	

Performance

> 3535 (Lumileds / Samsung) LEDs

Model	Power (W)	CRI70, 3000/4000/5000/5700K		CRI80, 3000/4000/5000/5700K		CRI90, 3000/4000/5000K	
		Efficacy (lm/W)	Flux (lm)	Efficacy (lm/W)	Flux (lm)	Efficacy (lm/W)	Flux (lm)
FL19A-2	300	135	40500	124	37200	107	32100
	400	130	52000	118	47200	103	41200
	500	125	62500	115	57500	97	48500
FL19A-4	600	135	81000	124	74400	107	64200
	800	130	104000	118	94400	103	82400
	1000	125	125000	115	115000	97	97000
FL19A-6	900	135	121500	124	111600	107	96300
	1200	130	156000	118	141600	103	123600
	1500	125	187500	115	172500	97	145500

Note: 1. Values shown are subject to ±5%~±8% tolerance. Efficacy of 3000K is 5% lower than CCT≥4000K of same CRI.

Note: 2. For CRI90, only Samsung available

> 5050 (Lumileds Customized / Luminus) LEDs

Model	Power (W)	CRI70, 3000/4000/5000/5700K		CRI80, 3000/4000/5000/5700K		CRI90, 4000K/5000/5700K	
		Efficacy (lm/W)	Flux (lm)	Efficacy (lm/W)	Flux (lm)	Efficacy (lm/W)	Flux (lm)
FL19A-2	300	164	49200	147	44100	132	39600
	400	157	62800	141	56400	127	50800
	500	150	75000	135	67500	121	60500
FL19A-4	600	164	98400	147	88200	132	79200
	800	157	125600	141	112800	127	101600
	1000	150	150000	135	135000	121	121000
FL19A-6	900	164	147600	147	132300	132	118800
	1200	157	188400	141	169200	127	152400
	1500	150	225000	135	202500	121	181500

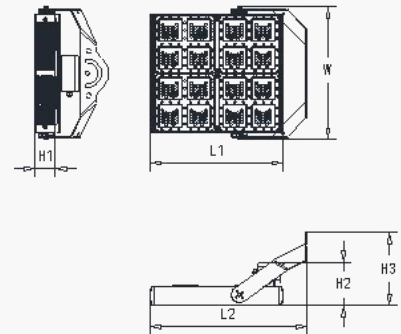
Note: 1. Values shown are subject to ±5%~±8% tolerance. Efficacy of 3000K is 5% lower than CCT≥4000K of same CRI

FL19A

LED Flood Light

Product Dimensions

Model	Power (W)	L1 (mm)	L2 (mm)	W (mm)	H1 (mm)	H2 (mm)	H3 (mm)	N.W. 1* (kg)	N.W. 2* (kg)
FL19A-2	320	310	420	600	90	194	300	19.0	21.6
	400								22.1
	500								23.0
FL19A-4	600	600	705	600	90	194	325	25.0	31.3
	800								33.6
	1000								35.3
FL19A-6	900	890	970	600	90	194	410	32.0	40.6
	1200								42.0
	1500								46.0



Notes: Typical values above subject to tolerance of 5%.

Notes: N.W. 1 refers to the main fixture; N.W. 2 refers to the main fixture plus driver, cable and junction box, subject to N.W.3 below..

Notes: Extension cable between the fixture and the drivers is optional or customizable on length, default as 3m. Reference:

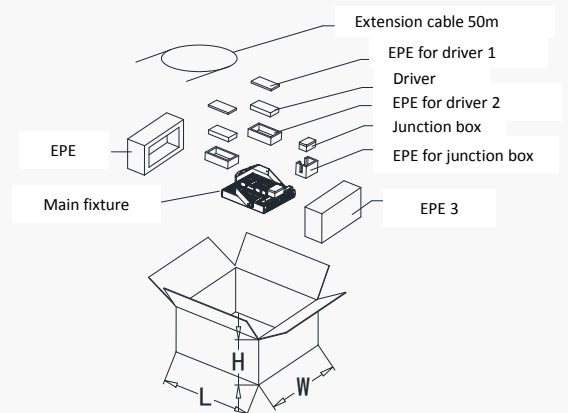
Model	Extension Cable Description	Cable N.W.3
FL19A-2	3-Pin, 3m, IP68	0.5
FL19A-4	5-Pin, 3m, IP68	0.8
FL19A-6	7-Pin, 3m, IP68	1.0

Package Information

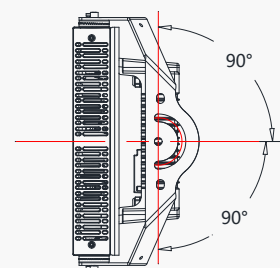
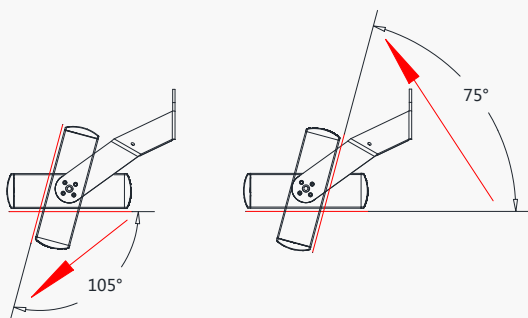
Model	Power (W)	L (mm)	W (mm)	H (mm)	G.W. (kg)
FL19A-2	320	725	565	380	24.6
	400				25.1
	500				26.0
FL19A-4	600	755	705	385	35.3
	800				37.1
	1000				38.8
FL19A-6	900	1045	705	385	45.6
	1200				47.0
	1500				50.5

Notes: Typical values above subject to tolerance 5%.

Actual quantity of driver depends on power. The drawing is for reference.



Bracket Tilt



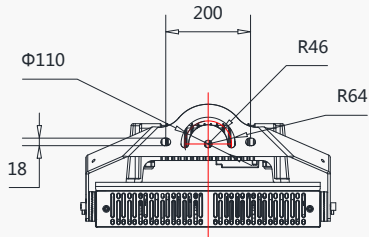
Vertical: +105° ~ -75°, step by 7.5°

Horizontal: +90° ~ -90°, step-less

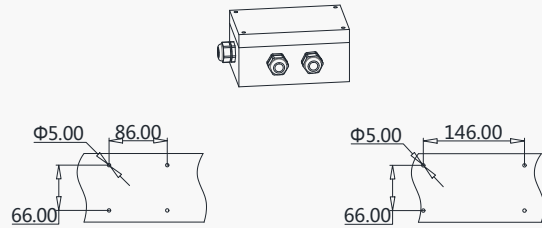
FL19A

LED Flood Light

Mounting Holes Dimensions



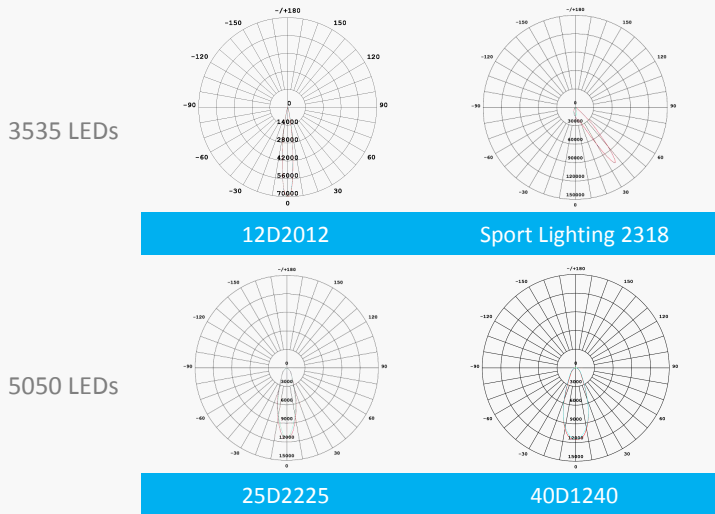
Mounting Bracket



FL19A-2 Junction Box

FL19A-4/ FL19A-6 Junction Box

Typical Distributions



Lighting Distribution ID	12D2012	Sport Lighting 2318	25D2225	40D1240
Maximum cd/1000lm	10672	3885	1552	1327
Center-flux/Center-intensity	10.67	0.49	1.55	1.33
10% Beam Angle	26V x 26H	57V x 95H	96V x 96H	90.4V x 94.7H
50% Beam Angle	13V x 13H	10V x 60H	28V x 28H	39.2V x 39.47H

Optional Accessories



Laser Sight

FL19A

LED Flood Light

Version History

Change Date	Version	Item	Description of Change	
			From	To
2019/04/02	Ver. 2.0	Datasheets release		
2019/08/20	Ver. 2.1	Combination Efficacy update	Datasheets separated among FL19A-2, FL19A-4, FL19A-6	FL19A series combined into one sheet
2019/09/26	Ver2.2	Efficacy of 3535 LEDs solutions		upgraded
2019/10/17	Ver2.3	Extension Cable	Length 50m	Length optional or customizable
2020/10/16	Ver2.4	FL19A-2 N.W.1 (main fixture)	16.5kg	19.0kg
		FL19A-4 N.W.1 (main fixture)	22.0kg	25.0kg
		FL19A-6 N.W.1 (main fixture)	28.0kg	32.0kg
2020/11/20	Ver2.5	Lighting distribution		40D1240 added (5050 LEDs)
		Finishing color		Option added: Dark Gray
		Standard Extension Cable, N.W.2, N.W.3 and G.W.	Length 50 meter	Length 3 meter