

FL40A

LED Flood Light



Specifications

Input Voltage:	100 ~ 277Vac
Input Frequency:	50 / 60Hz
Power Factor:	0.95
Surge Protection Level:	10kV line-earth
Working Environment:	-40°C ~ +35°C, 10% ~ 90% RH
CCT:	3000K, 4000K, 5000K, 5700K
CRI:	≥70
Housing:	Die Casting Aluminum
IP Rating of LED Light Engine:	IP68
IP Rating of LED Driver:	IP67
Warranty:	5 Years Limited

Finishing Colors

	Gray		Black
	White		Dark Gray

Applications

- Large outdoor space lighting (stadium, airport, parking lot....)
- High-mast lighting (square, port...)

Features

Construction

- Die-cast aluminum housing, compact and reliable mechanism and efficient heat dissipation.
- Unique patented IP68 LED light engines.
- Optimized design, not easy to accumulate water and dust.

Electrical

- Flexible to reach desired power consumption by choosing appropriate light engines.

- Up to 1500W with a maximum flux output of 225,000lm

Optical

- Stadium-lighting oriented lighting distribution available.
- Compatible with general flood lighting distributions.
- Light shields available by option for each row of modules.

Installation

- Bracket adjustable in $+(-)45^{\circ}\sim+75^{\circ}$, with row of modules separately adjustable in $-15^{\circ}\sim+15^{\circ}$.
- Laser sight available by option for precise aiming.
- Steel rope available by option for safe mounting.

Photos



FL40A

LED Flood Light

Ordering Information

Example: FL40A-2-500-M40A-BA-96-2225-7040-CM-IN-DG

Luminaire Type	Module Qty	System Power	LED Module	LED Package	Cable Standard	LED Qty per Module	
FL Flood light	2 2 Modules	300 300W	M40A	A 3535 LEDs	A CCC+VDE	96 96pcs	
40A 40A series	4 4 Modules	400 400W		B 5050 LEDs			C PSE
	6 6 Modules	500 500W					H UL
					X OTHER
	900 900W						
		1200 1200W					
		1500 1500W					

Lens Code	CRI & CCT	Brand of LEDs	Driver Brand	Housing Color
2012 12 degree	7030 Ra≥70, 3000K	LU LUMILEDS	IN INVENTRONICS	BK Black
2318 Sports lighting	7040 Ra≥70, 4000K	SS SAMSUNG		
2225 25 degree	7050 Ra≥70, 5000K	CM LUMILEDS Customized		
	7057 Ra≥70, 5700K			
1240 40 degree	8030 Ra≥80, 3000K	SN SANAN		
2260 60 degree	...	LN LUMINUS		BU Blue
	9057 Ra≥90, 5700K			GY Gray
				DG Dark Gray

Performance

➤ 3535 (Lumileds / Samsung) LEDs – 12°/ sport lighting

Model	Power (W)	CRI70, 3000/4000/5000/5700K		CRI80, 3000/4000/5000K		CRI90, 3000/4000/5000K	
		Efficacy (lm/W)	Flux (lm)	Efficacy (lm/W)	Flux (lm)	Efficacy (lm/W)	Flux (lm)
FL40A-2	300	135	40500	124	37200	107	32100
	400	130	52000	118	47200	103	41200
	500	125	62500	115	57500	97	48500
FL40A-4	600	135	81000	124	74400	107	64200
	800	130	104000	118	94400	103	82400
	1000	125	125000	115	115000	97	97000
FL40A-6	900	135	121500	124	111600	107	96300
	1200	130	156000	118	141600	103	123600
	1500	125	187500	115	172500	97	145500

Note: 1. Values shown are subject to ±5%~±8% tolerance. Efficacy of 3000K is 5% lower than CCT≥4000K of same CRI.

Note: 2. For CRI90, only Samsung available

➤ 5050 (Lumileds Customized) LEDs – 25°/ 40°/ 60°

Model	Power (W)	CRI70, 3000/4000/5000/5700K		CRI80, 3000/4000/5000/5700K		CRI90, 4000K/5000/5700K	
		Efficacy (lm/W)	Flux (lm)	Efficacy (lm/W)	Flux (lm)	Efficacy (lm/W)	Flux (lm)
FL40A-2	300	164	49200	147	44100	132	39600
	400	157	62800	141	56400	127	50800
	500	150	75000	135	67500	121	60500
FL40A-4	600	164	98400	147	88200	132	79200
	800	157	125600	141	112800	127	101600
	1000	150	150000	135	135000	121	121000
FL40A-6	900	164	147600	147	132300	132	118800
	1200	157	188400	141	169200	127	152400
	1500	150	225000	135	202500	121	181500

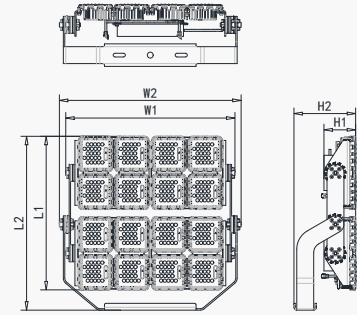
Note: 1. Values shown are subject to ±5%~±8% tolerance. Efficacy of 3000K is 5% lower than CCT≥4000K of same CRI

FL40A

LED Flood Light

Product Dimensions

Model	L1 (mm)	L2 (mm)	W1 (mm)	W2 (mm)	H1 (mm)	H2 (mm)	N.W. 1* (kg)	N.W. 2* (kg)
FL40A-2	260	335	600	600	112	220	9.6	13.0
FL40A-4	545	615	600	645	112	220	19.3	26.1
FL40A-6	830	900	600	655	112	220	29.7	39.9

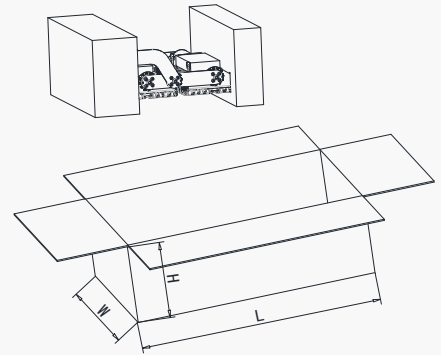


Notes: Typical values above subject to tolerance of 5%.

Notes: N.W. 1 refers to the main fixture; N.W. 2 refers to the body plus driver.

Package Information

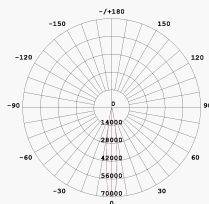
Model	L (mm)	W (mm)	H (mm)	G.W. (kg)
FL40A-2	650	440	330	15.7
FL40A-4	730	720	330	29.3
FL40A-6	1010	720	330	43.5



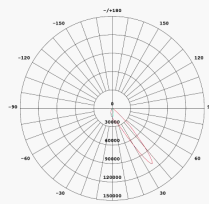
Notes: Typical values above subject to tolerance 5%.

Typical Distributions

3535 LEDs

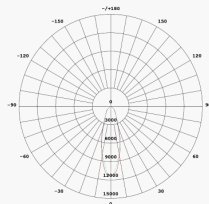


12D2012

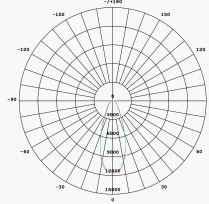


Sport Lighting 2318

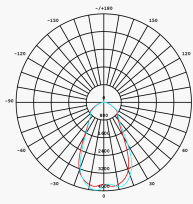
5050 LEDs



25D2225



40D1240



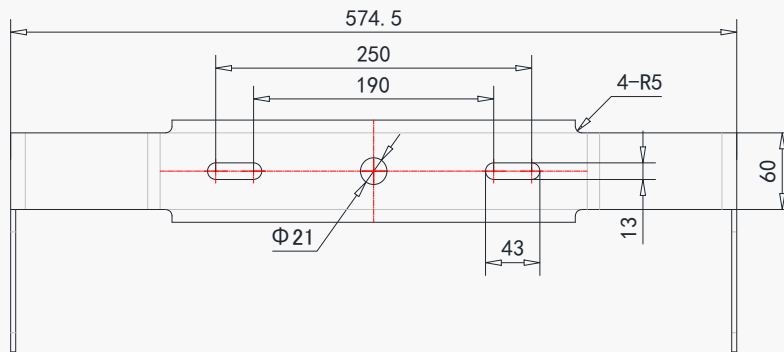
60D2260

Lighting Distribution ID	12D2012	Sport Lighting 2318	25D2225	40D1240	60D2260
Maximum cd/1000lm	10672	3885	1552	1327	587
Center-flux/Center-intensity	10.67	0.49	1.55	1.33	0.59
10% Beam Angle	26V x 26H	57V x 95H	96V x 96H	90.4V x 94.7H	148.6V x 149.9H
50% Beam Angle	13V x 13H	10V x 60H	28V x 28H	39.2V x 39.47H	56.1V x 58.2H

FL40A

LED Flood Light

Mounting Holes Dimensions



Notes: Typical values above subject to tolerance $\pm 0.5\text{mm}$.

Tilt

Mounting	Tilt Range	Diagram
Vertical	Bracket +45° ~ +75°, step by 5°	
	Modules* -15° ~ +15°, step by 5°	
Horizontal	Bracket -45° ~ +75°, step by 5°	
	Modules* -15° ~ +15°, step by 5°	

*Notes: module tilt only applicable on FL40A-4 and FL40A-6.

FL40A

LED Flood Light

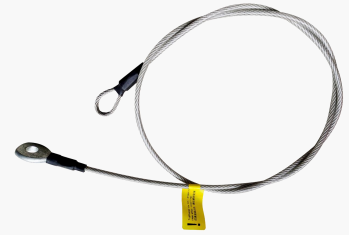
Optional Accessories



Laser Sight



Light Shield



Anti-dropping Steel Rope

Version History

Change Date	Version	Description of Change			
		Item	From	To	
2020/11/13	Ver. A	Datasheet		Pre-released	
2020/12/16	Ver1.0	Datasheet officially released		Tilt angle modified; W1 and W2 exchanged; Optional accessories added	
2021/6/10	Ver1.1	Product dimension L1 & L2	L1=600mm, L2=705mm	L1=545mm, L2=615mm	