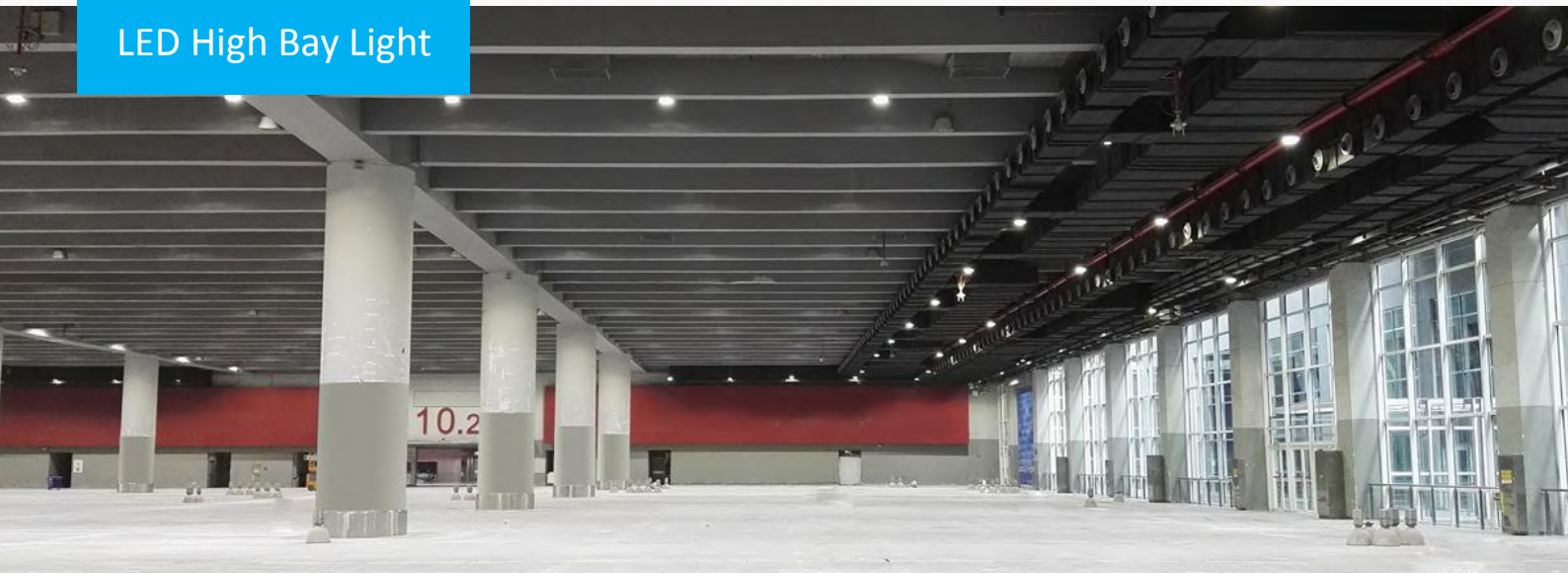


TF21 Series

LED High Bay Light

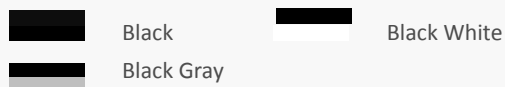


Specifications

Input Voltage:	100 ~ 277Vac
Input Frequency:	50 / 60Hz
Power Factor:	0.95
Surge Protection Level:	6kV line-earth (For ≤60W, 4kV line-earth)
Working Environment:	-40°C ~ +45°C, 10% ~ 90% RH
CCT:	3000K, 4000K, 5000K, 5700K
CRI:	≥70
Housing:	Die-cast aluminum
IP Rating of LED Light Engine	IP66
IP Rating of LED Driver:	IP65
Warranty:	5 Years Limited



Finishing Colors



Applications

- Factory facilities (plant, office, warehouse....)
- Area lighting (exhibition hall, convention center, garage....)
- Indoor sports facilities (gym, club...)

Features

Construction

- Whole structure heating dissipation design with efficient thermal conduction, radiation and convection.
- Integrated lampshade reduces glare
- A round shape style continued from traditional lamps.

Electrical

- Flexible to reach desired power consumption by choosing appropriate light engines and drivers.

Optical

- Ergonomic and uniform lighting distribution designs.

Photos



TF21 Series

LED High Bay Light

Ordering Information

Example: TF21B-N1-100-104-1863-7040-LU-MO-BKGY

Luminaire Type	Module Qty	System Power	LED Package	Cable Standard	LED Qty per Module
TF High bay light	N1 1 Module	60 60W 80 80W 100 100W 120 120W 150 150W 180 180W 200 200W	C 3030 LEDs	A CCC+VDE C PSE H UL X OTHERS	56 56pcs 104 104pcs 152 152pcs 208 208pcs
21A 21A series 21B 21B series 21C 21C series 21D 21D series					
Lens Code	CRI & CCT		Brand of LEDs	Driver Brand	Housing Color
1861 60 degree 1863 60 degree 2895 60 degree 2897 60 degree	1862 90 degree 1864 90 degree 2896 90 degree 2898 90 degree	7030 Ra≥70, 3000K 7040 Ra≥70, 3000K 7050 Ra≥70, 3000K 7057 Ra≥70, 3000K	LU Lumileds XX Others	MO MOSO XX Others	BK Black BKWH Black White BKGY Black Gray

Performance

Model	Power (W)	LED Quantity (pcs)	Efficacy (lm/W)	Flux (lm)	CRI	CCT (K)
TF21A	60	56	120	7200	≥70	3000, 4000, 5000, 5700
TF21B	80	104	133	10640		
	100	104	127	12700		
TF21C	120	152	133	15960		
	150	152	127	19050		
TF21D	180	208	130	23400		
	200	208	127	25400		

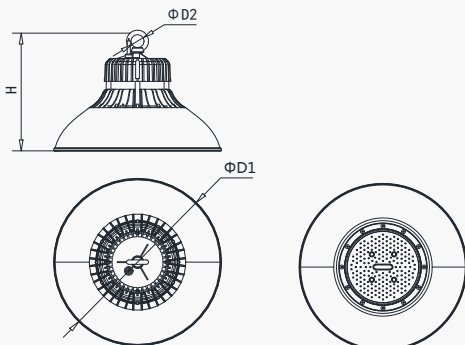
Note: 1. Values shown are subject to ±5%~±8% tolerance.

2. Efficacy and flux above refers to Ra70, CCT≥4000K. Efficacy of 3000K is 5% lower.

Product Dimensions

Model	Φ D1 (mm)	H (mm)	Φ D2 (mm)	N.W. (kg)
TF21A	Φ240	160	Φ20	1.6
TF21B	Φ330	245	Φ25	2.3
TF21C	Φ380	285	Φ30	3.3
TF21D	Φ415	300	Φ25	4.7

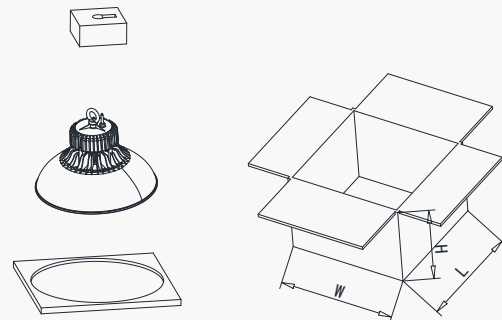
Notes: Typical values above. Tolerance of H and N.W. with different drivers: 5%



Package Information

Model	L (mm)	W (mm)	H (mm)	G.W. (kg)
TF21A	280	280	240	2.0
TF21B	370	370	275	3.1
TF21C	420	420	305	4.2
TF21D	455	455	330	5.7

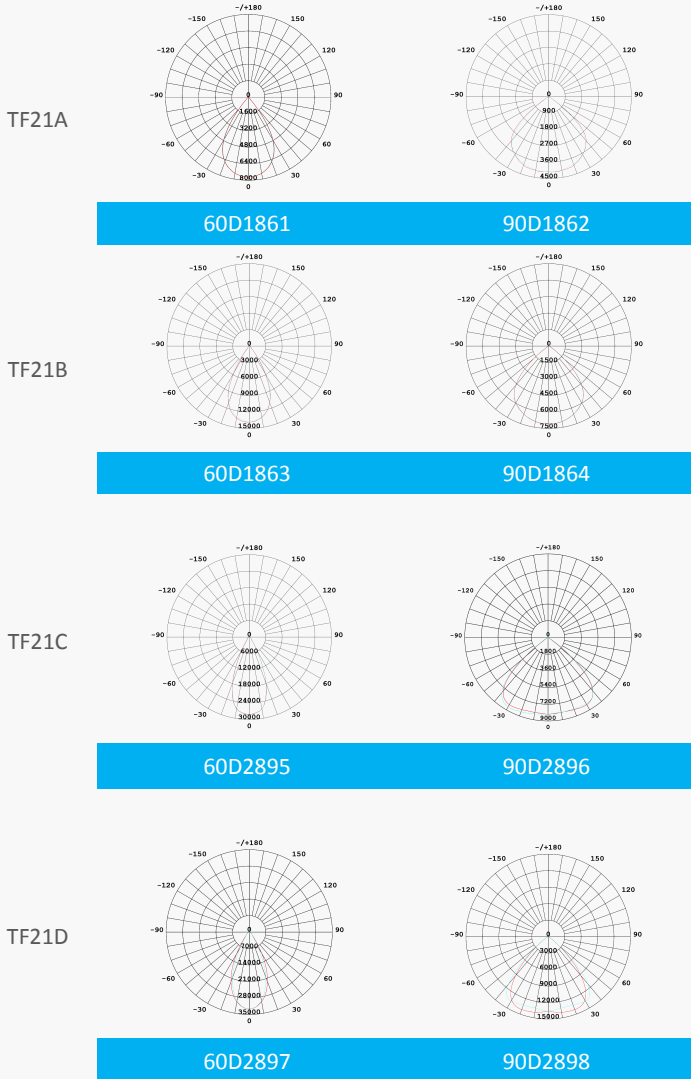
Notes: Typical values above. Tolerance of G.W. with different drivers: 5%



TF21 Series

LED High Bay Light

Typical Distributions



Version History

Change Date	Version	Item	Description of Change	
			From	To
2018/12/07	Ver. 2.0	Datasheets release	/	/
2019/09/19	Ver.2.1	Power solution supplement		TF21A 60W added