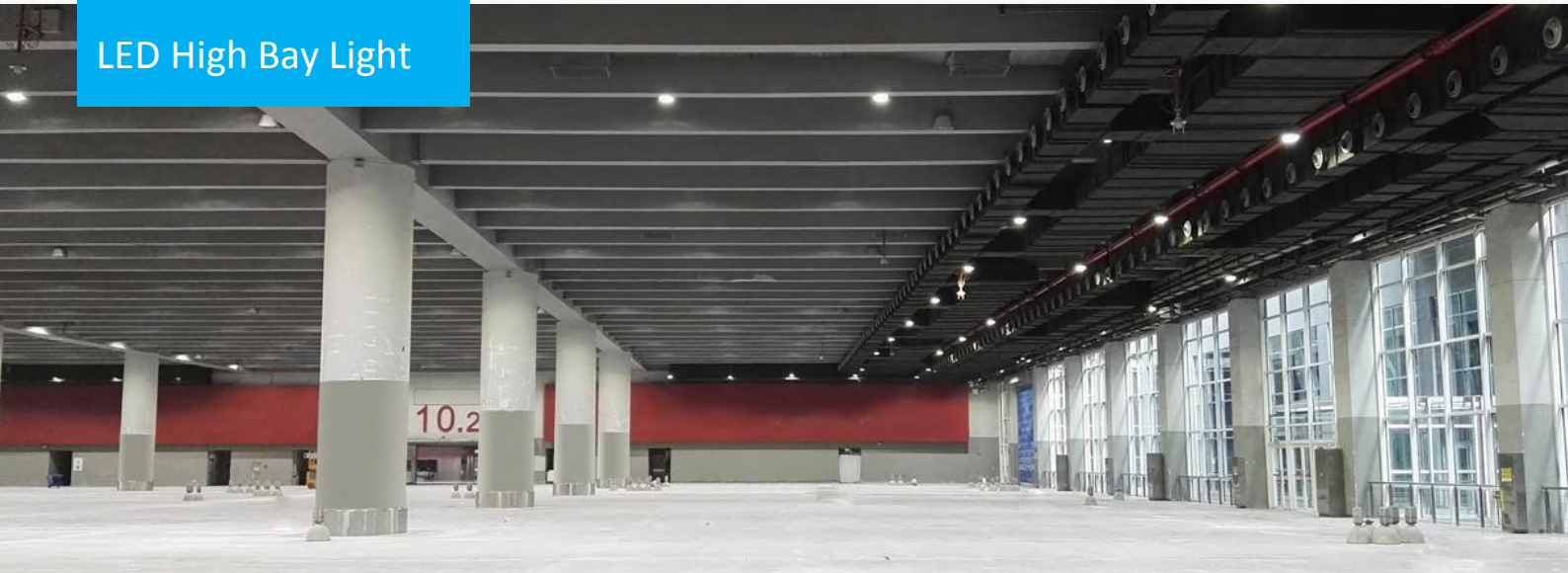


TF29 Series

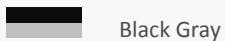
LED High Bay Light



Specifications

Input Voltage:	100 ~ 277Vac
Input Frequency:	50 / 60Hz
Power Factor:	0.95
Surge Protection Level:	6kV line-earth
Working Environment:	-40°C ~ +45°C, 10% ~ 90% RH
CCT:	3000K, 4000K, 5000K, 5700K
CRI:	≥70
Housing:	Aluminum
IP Rating	IP65
Warranty:	5 Years Limited

Finishing Colors



Applications

- Factory facilities (plant, office, warehouse...)
- Area lighting (exhibition hall, convention center, garage...)
- Indoor sports facilities (gym, club...)

Features

Construction

- Whole structure heating dissipation design with efficient thermal conduction, radiation and convection.
- UFO appearance with big surface of light output.

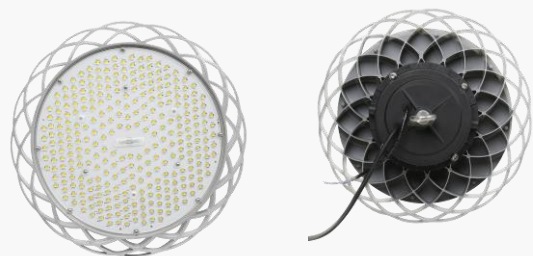
Optical

- Ergonomic and uniform lighting distribution designs.
- Unmatched lighting performance, driver stability and desirable lifespan;

Electrical

Wide coverage of power consumptions;

Photos



TF29 Series

LED High Bay Light

Ordering Information

Example: TF29C-N1-100-CA-120-3873-7040-LU-MO-BKGY

Luminaire Type		Module Qty	System Power	LED Package	Cable Standard	LED Qty	
TF	High bay light	N1 1 Module	80 80W 100 100W 120 120W 150 150W 180 180W 200 200W 240 240W	C 3030 LEDs	A CCC+VDE C PSE H UL X OTHERS	120 120pcs 200 200pcs 240 240pcs 296 296pcs	
29C	29C series						
29D	29D series						
Lens Code		CRI & CCT		Brand of LEDs	Driver Brand	Housing Color	
3873	60 degree	3874	90 degree	7030 Ra≥70, 3000K 7040 Ra≥70, 3000K 7050 Ra≥70, 3000K 7057 Ra≥70, 3000K	LU LUMILEDS XX Others	MO MOSO XX Others	BKGY Black Gray
3841	60 degree	3842	90 degree				
3843	120 degree						

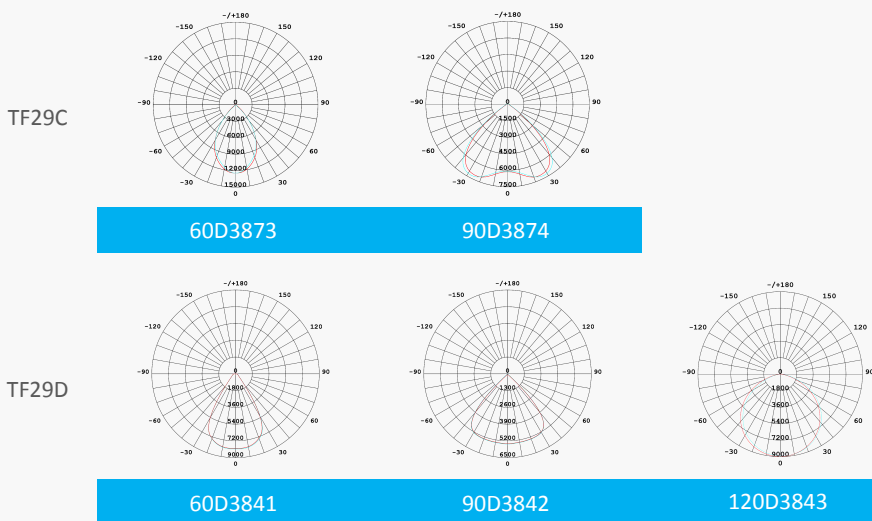
Performance

Model	Power (W)	LED Quantity (pcs)	Efficacy (lm/W)	Flux (lm)	CRI	CCT (K)
TF29C	80	120	137		≥70	3000, 4000, 5000, 5700
	100	120	130	13000		
	120	120	125	15000		
	150	200	135	20250		
TF29D	180	240	135	24300		
	200	240	130	26000		
	240	296	130	31200		

Note: 1. Values shown are subject to ±5%~±8% tolerance.

2. Efficacy and flux above refers to Ra70, CCT≥4000K. Efficacy of 3000K is 5% lower.

Typical Distributions



TF29 Series

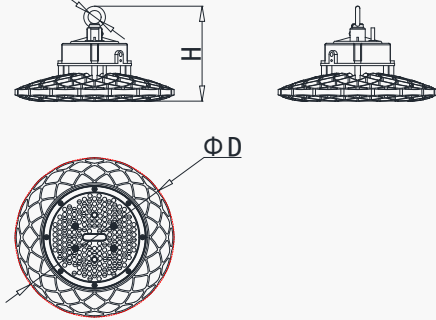
LED High Bay Light

Product Dimensions

Model	Φ D (mm)	H (mm)	Hoisting Ring	N.W. (kg)
TF29C	Φ 315	190	M10	3.1
TF29D	Φ 365	200	M10	4.6

Notes: Typical values above. Tolerance of H and N.W. with different drivers: 5%

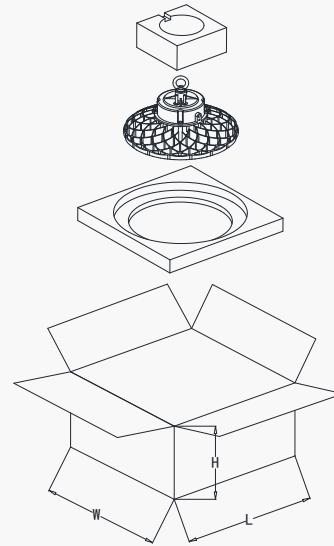
Hoisting Ring



Package Information

Model	L (mm)	W (mm)	H (mm)	G.W. (kg)
TF29C	360	360	215	3.8
TF29D	410	410	230	5.6

Notes: Typical values above. Tolerance of G.W. with different drivers: 5%



Version History

Change Date	Version	Item	Description of Change	
			From	To
2019/06/03	Ver. 1.0	Datasheets release	/	/
2019/09/19	Ver1.0	Layout adjustment	/	/
2020/10/16	Ver1.1	IP Rating	IP40	IP65