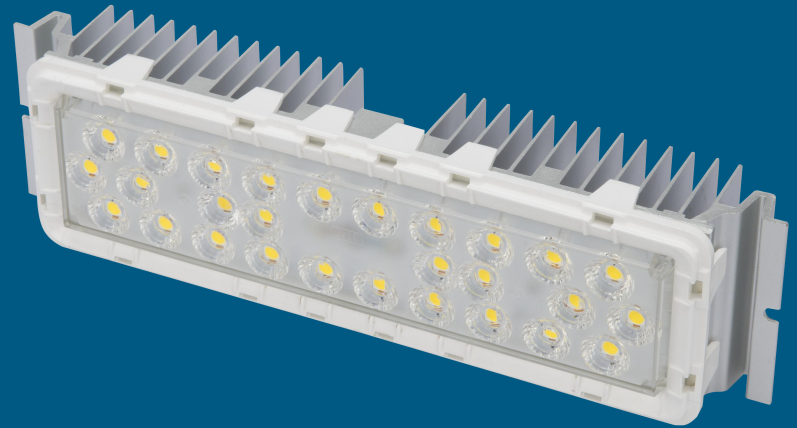


LED Module

M16B

Series



Specification

Working Environment: -40°C~+50°C

Storage Temperature: -40°C~+50°C

Relative humidity: 10%~90%RH

Typical Solder Point Temperature Ts^[1]: 70°C

IP Rating of LED Light Engine: IP68

Color Temperature (CCT)^[2]: 3000K, 4000K, 5000K, 5700K

Main Material: Aluminum 6063

Module N.W.: 0.67±0.04 kg

Note:

[1] Typical values of pad temperature is obtained based on the test power 60W
with ambient temperature 25°C.

[2] Efficacy of 3000K is 5% lower than other CCTs.

Features

- Customized LEDs from a world-leading supplier;
- Super long lifetime(Lumen maintenance);
- Multiple lighting distributions available;
- Wide applicability for complex situations;
- High versatility apply for all sorts of lamps retrofit.

Application

- Street lighting retrofit and application;
- Factory lighting retrofit and application;
- Tunnel lighting retrofit and application;
- Sports lighting retrofit and application.

Ordering Information

For example: M16B-VBA-18 -2105-7040-CM

Module Model	Interface	Dimension of LEDs	Wire Standard	LED Qty	Lens Model	Ra & CCT	LED Brand	
M16B	V: V shape groove	B: 5050	A: CCC+VDE C: PSE H: UL X: Others	18: 18PCS 28: 28PCS	Lens Type:		7030: Ra≥70, 3000K 7040: Ra≥70, 4000K 7050: Ra≥70, 5000K 7057: Ra≥70, 5700K	CM: Customized XX: Others
					1107 Type I Short	3125 25 DEG		
					2125 Type I Short	3140 40 DEG		
					2105 Type II Short	3160 60 DEG		
					2128 Type II Short	2190 90 DEG		
					3106 Type II Short	2211 90x40 DEG		
					3108 Type II Short(V)	3504 80x35 DEG		
					2111 Type II Medium	3505 70x30 DEG		
					1113 Type III Short	2114 Square lighting		
					2127 Type III Medium	2212 Sport Lighting		
					2109 Type III Medium	2123 Tunnel Lighting		
					2310 Lambert Type			
					Reflector Type:			
					2501 60X60DEG	2502 80X80 DEG		
					2503 80x50 DEG			

Performance

Lens Type

Module Model	Power (W)	Driving current (mA)	Input voltage (Vdc)	18pcs		28pcs	
				Efficacy (lm/W)	Lumens (lm)	Efficacy (lm/W)	Lumens (lm)
M16B-VBA	30	600	40~54	168	5040	180	5400
M16B-VBA	40	800	40~54	160	6400	175	7000
M16B-VBA	50	1000	40~54	150	7500	170	8500
M16B-VBA	60	1200	40~54	140	8400	163	9780

Note: Values shown are subject to ±5%~±8% tolerance; Cable default A type;

Efficacy above is based on calculated @92% power efficiency; Light efficacy of 3000K is 5% lower than other CCTs.

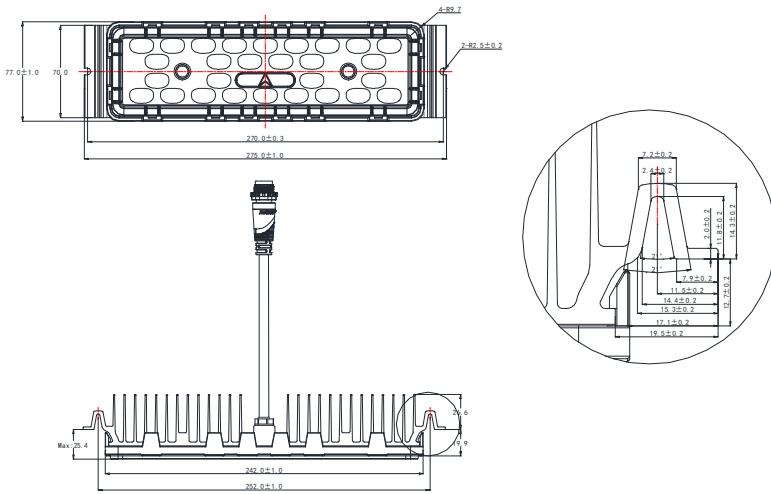
Reflector Type

Module Model	Power (W)	Driving current (mA)	Input voltage (Vdc)	18pcs		28pcs	
				Efficacy (lm/W)	Lumens (lm)	Efficacy (lm/W)	Lumens (lm)
M16B-VBA	30	600	40~54	155	4650	166	4980
M16B-VBA	40	800	40~54	150	6000	163	6520
M16B-VBA	50	1000	40~54	145	7250	158	7900
M16B-VBA	60	1200	40~54	140	8400	152	9120

Note: Values shown are subject to ±5%~±8% tolerance; Cable default A type;

Efficacy above is based on calculated @92% power efficiency; Light efficacy of 3000K is 5% lower than other CCTs.

Dimensions

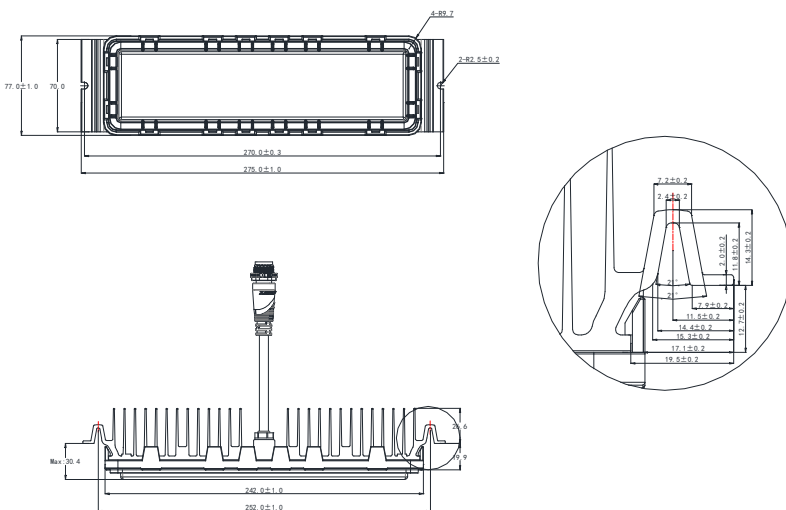


L (mm)	W (mm)	H (mm)
275.0	77.0	52.0

- * Tolerance: ± 0.5mm
- * Different lenses, the height will be 5% tolerance.

Available lens model

1107	1113	2105
2109	2111	2123
2125	2127	2128
3106	3108	

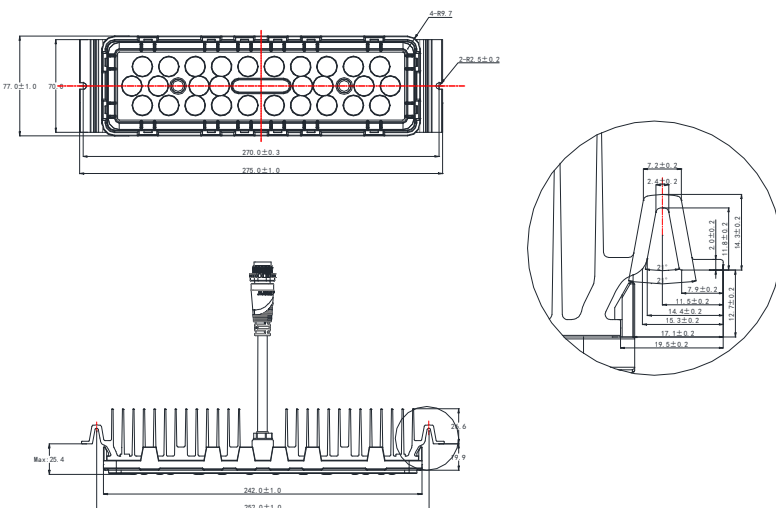


L (mm)	W (mm)	H (mm)
275.0	77.0	57.0

- * Tolerance: ± 0.5mm
- * Different lenses, the height will be 5% tolerance.

Available lens model

2114	2501	2502	3505
2503	3125	3140	



L (mm)	W (mm)	H (mm)
275.0	77.0	52.0

- * Tolerance: ± 0.5mm
- * Different lenses, the height will be 5% tolerance.

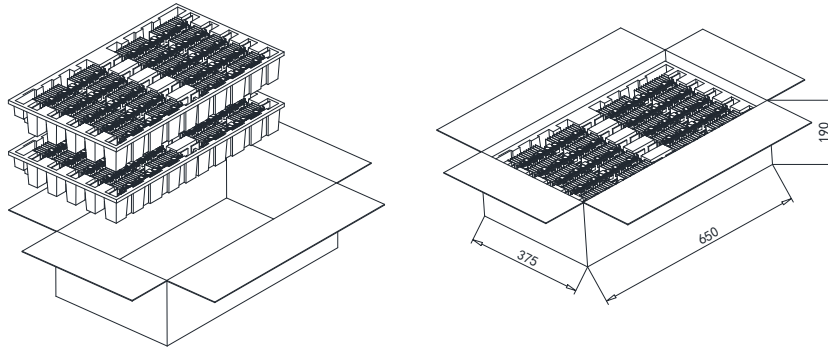
Available lens model

2190	2211	2212	2310
3160	3504		

Package Information

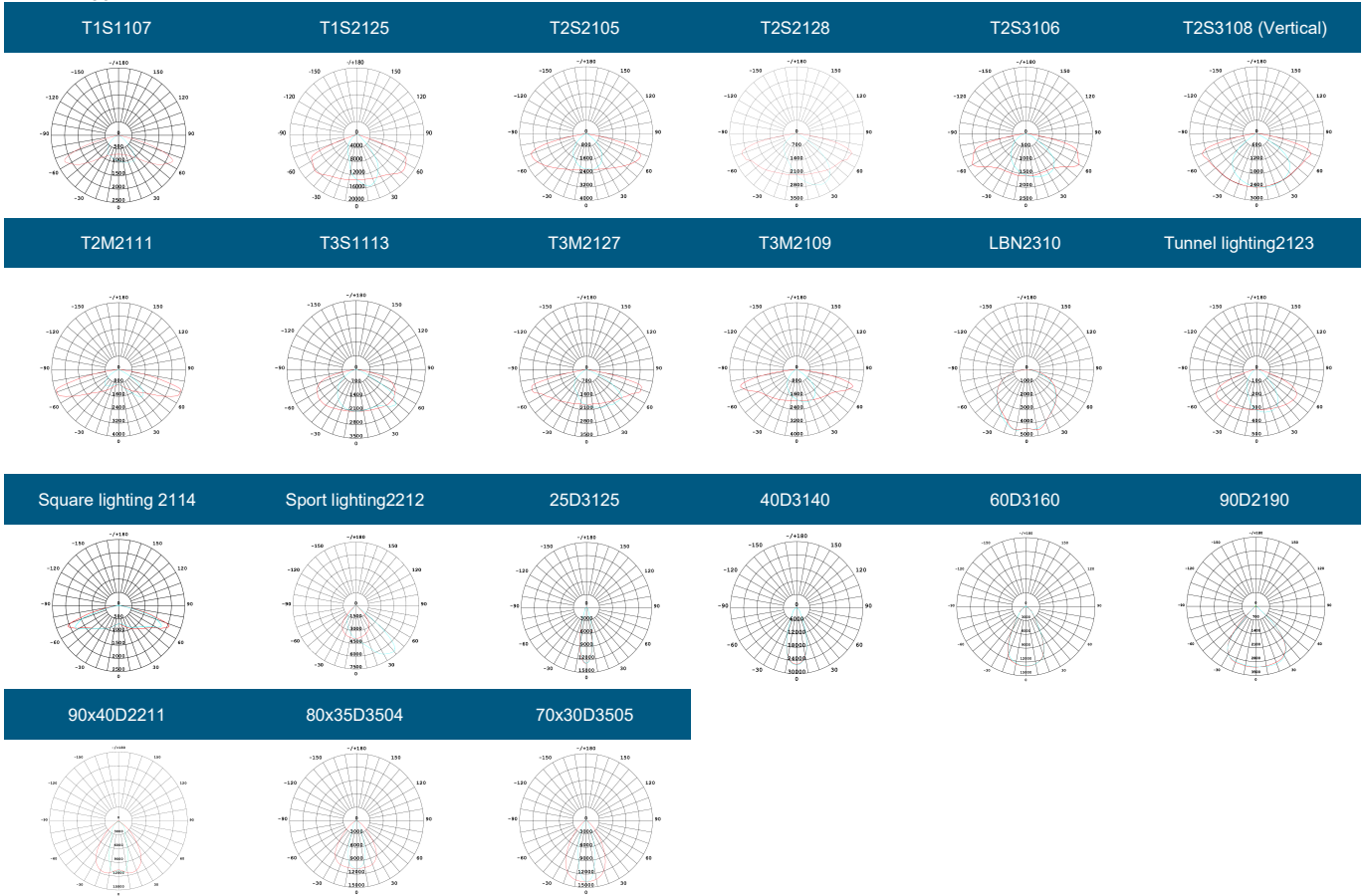
L (mm)	W (mm)	H (mm)	Module pcs/carton (PCS)	Package weight (kg)
650	375	190	20	14.9

Values shown are subject to $\pm 5\%$ tolerance.

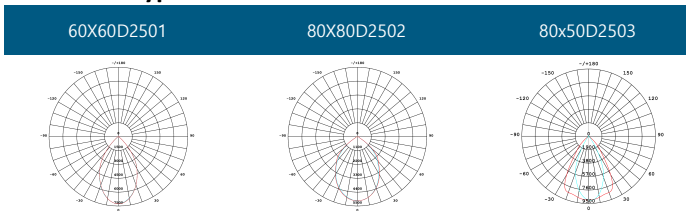


Lighting distributions

Lens Type



Reflector Type



Version History

Change Date	Version	Description of Change		
		Item	From	To
20190617	Ver2.0	Data sheet version upgrade; Improvement of Luminous efficiency		
20190922	Ver2.1	Optimized the package weight Canceled 2414 and 5209 light distributions	16.2kgs	14.9kgs