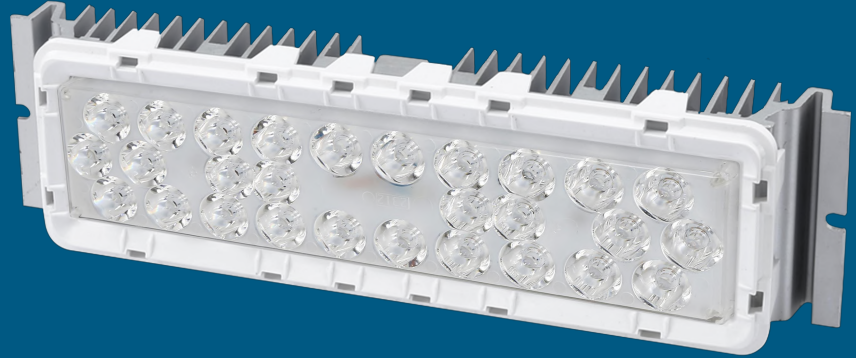


LED Module M28B Series



Specification

Working Environment: -40°C~+50°C

Storage Temperature: -40°C~+50°C

Relative humidity: 10%~90%RH

Typical Solder Point Temperature Ts^[1]: 80°C

IP Rating of LED Light Engine: IP68

Color Temperature (CCT)^[2]: 3000K, 4000K, 5000K, 5700K

Main Material: Aluminum 6063

Module N.W.: 0.67±0.05 kg

Note:

[1] Typical values of pad temperature is obtained based on the test power 60W
with ambient temperature 25°C.

[2] Efficacy of 3000K is 5% lower than other CCTs.

Features

- Lumileds LUXEON T;
- Super long lifetime(Lumen maintenance);
- Multiple lighting distributions available;
- Wide applicability for complex situations;
- High versatility apply for all sorts of lamps retrofit.

Application

- Street lighting retrofit and application;
- Factory lighting retrofit and application;
- Tunnel lighting retrofit and application;
- Sports lighting retrofit and application.

Ordering Information

For example: M28B-VAA-28-2350-7040-SS

Module Model	Interface	Dimension of LEDS	Wire Standard	LED Qty	Lens Model		Ra & CCT	LED Brand	
M28B	V: V shape groove	A: 3535	A: CCC+VDE	28:28PCS	2350	Type II Medium	2312 12 DEG	7030 : Ra≥70 , 3000K	LU: Lumileds SS: Samsung
			C: PSE		2351	Type II Medium	2425 25 DEG	7040 : Ra≥70 , 4000K	
			H: UL		2355	Type V Long		7050 : Ra≥70 , 5000K	
			X: Others					7057 : Ra≥70 , 5700K	
							...		

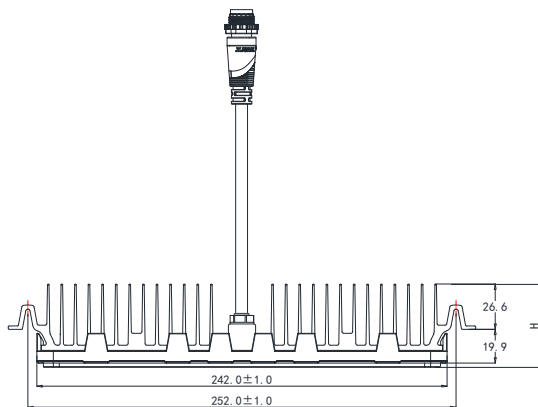
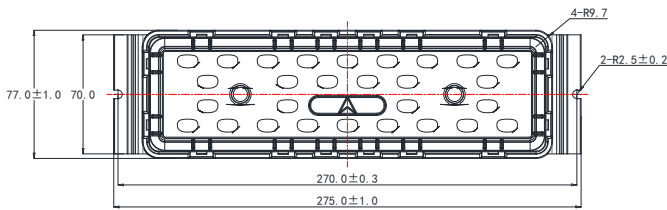
Performance

Module Model	Power (W)	Driving current (mA)	Input voltage (Vdc)	28pcs	
				Efficacy (lm/W)	Lumens (lm)
M28B-VAA	40	900	36~48	145	5800
M28B-VAA	50	1100	36~48	140	7000
M28B-VAA	60	650	72~96	135	8100

Note : Values shown are subject to ±5%~±8% tolerance; Cable default A type;

Efficacy above is based on calculated @92% power efficiency ; Light efficacy of 3000K is 5% lower than other CCTs.

Dimensions



L (mm)	W (mm)	H (mm)
275	77	49~52

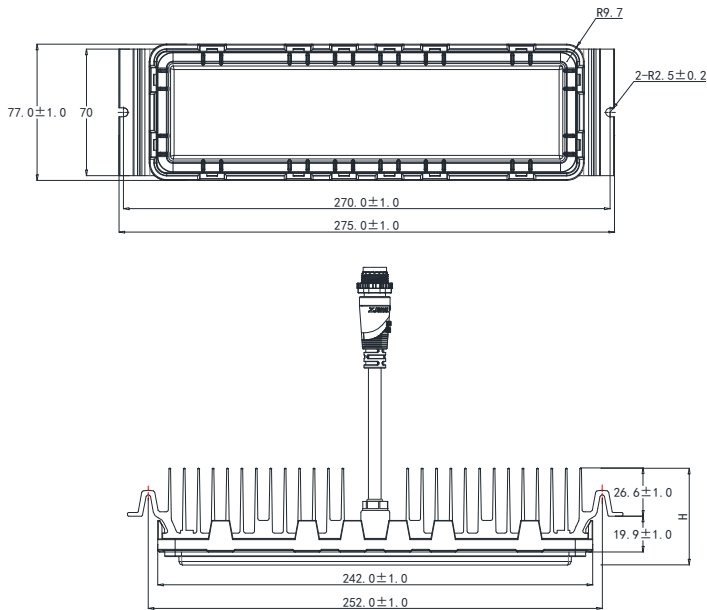
* Tolerance: : ±0.5mm

* Different lenses, the height will be 5% tolerance.

Available lens model

2350	2351	2355
------	------	------

Dimensions



L (mm)	W (mm)	H (mm)
--------	--------	--------

275 77 57~60

* Tolerance: : ± 0.5 mm

* Different lenses, the height will be 5% tolerance.

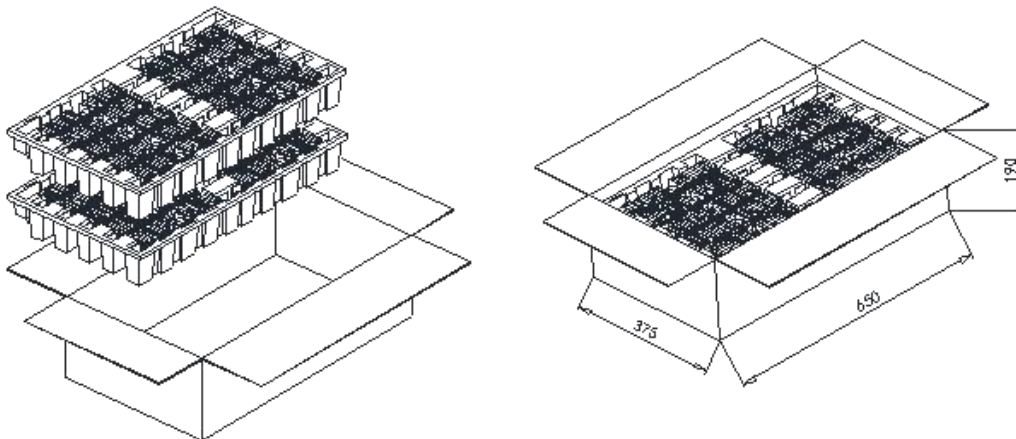
Available lens code

2312	2425
------	------

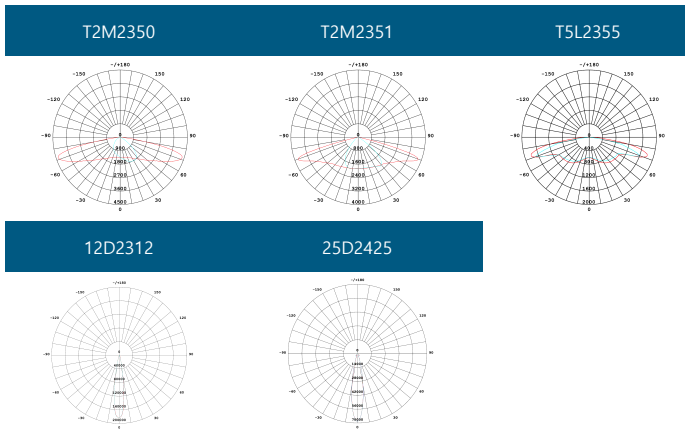
Package Information

L (mm)	W (mm)	H (mm)	Module pcs/carton (PCS)	Package weight (kg)
650	375	190	20	14.9

Values shown are subject to $\pm 5\%$ tolerance.



Lighting distributions



Version History

Change Date	Version	Description of Change		
		Item	From	To
20200225	Ver1.0	Data sheet version upgrade; Improvement of Luminous efficiency	M28	M28B