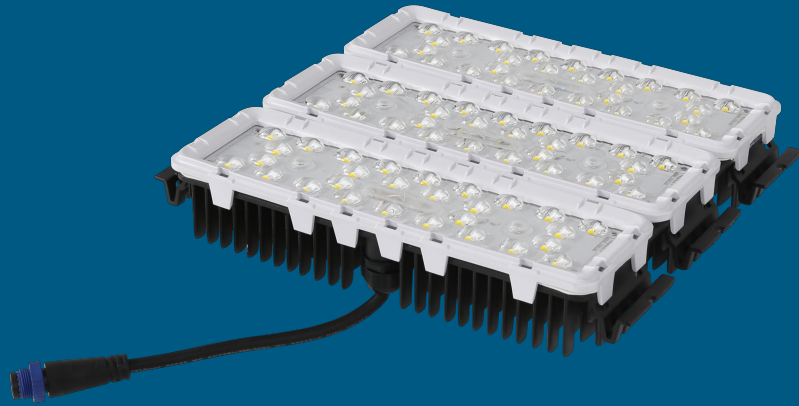


LED Module M33C Series



Specification

Working Environment: -40°C~+50°C

Storage Temperature: -40°C~+50°C

Relative humidity: 10%~90%RH

Typical Solder Point Temperature Ts^[1]: 65°C

IP Rating of LED Light Engine: IP68

Color Temperature (CCT)^[2]: 3000K, 4000K, 5000K, 5700K

Main Material: Die Casting Aluminum ADC12

N.W.: 1.97±0.10 kgs

Note:

[1] Typical values of pad temperature is obtained based on the test power 180W
with ambient temperature 25°C.

[2] Efficacy of 3000K is 5% lower than other CCTs.

Features

- Customized LEDs from a world-leading supplier;
- Super long lifetime(Lumen maintenance);
- Multiple lighting distributions available;
- Wide applicability for complex situations;
- High versatility apply for all sorts of lamps retrofit.

Application

- Street lighting retrofit and application;
- Factory lighting retrofit and application;
- Tunnel lighting retrofit and application;
- Sports lighting retrofit and application.

Ordering Information

For example : M33C-VBA-54-2105-7040-CM

Module Model	Interface	Dimension of LEDS	Wire Standard	LED Qty	Lens Model		Ra & CCT	LED Brand
M33C	V: V shape groove	B: 5050	A: CCC+VDE C: PSE H: UL X: Others	54: 54PCS	Lens Type:		7030: Ra≥70, 3000K 7040: Ra≥70, 4000K 7050: Ra≥70, 5000K 7057: Ra≥70, 5700K	CM: Customized XX: Others
				84: 84PCS	1107 Type I Short	3125 25 DEG		
					2125 Type I Short	3140 40 DEG		
					2105 Type II Short	3160 60 DEG		
					2128 Type II Short	2190 90 DEG		
					3106 Type II Short	2211 90x40 DEG		
					3108 Type II Short(V)	3504 80x35 DEG		
					2111 Type II Medium	3505 70x30 DEG		
					1113 Type III Short	2114 Square lighting		
					2127 Type III Medium	2212 Sport Lighting		
					2109 Type III Medium	2123 Tunnel Lighting		
					2310 Lambert Type			
					Reflector Type:			
					2501 60X60DEG			
					2503 80X50 DEG	2502 80X80DEG		

Performance

Lens Type

Module Model	Power (W)	Driving current (mA)	Input voltage (Vdc)	18*3pcs		28*3pcs	
				Efficacy (lm/W)	Lumens (lm)	Efficacy (lm/W)	Lumens (lm)
M33C-VBA	120	800	120-162	160	19200	175	21000
M33C-VBA	150	1000	120-162	150	22500	170	25500
M33C-VBA	180	1200	120-162	140	25200	163	29340

Note: Values shown are subject to ±5%~±8% tolerance; Cable default A type;

Efficacy above is based on calculated @92% power efficiency ; Light efficacy of 3000K is 5% lower than other CCTs.

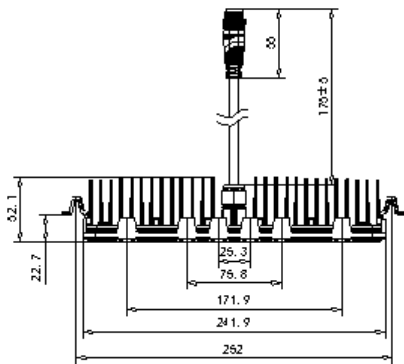
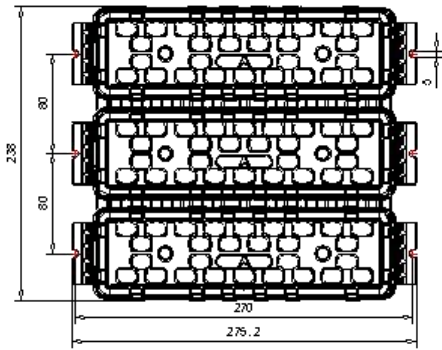
Reflector Type

Module Model	Power (W)	Driving current (mA)	Input voltage (Vdc)	18*3pcs		28*3pcs	
				Efficacy (lm/W)	Lumens (lm)	Efficacy (lm/W)	Lumens (lm)
M33C-VBA	120	800	120-162	150	18000	163	19560
M33C-VBA	150	1000	120-162	145	21750	158	23700
M33C-VBA	180	1200	120-162	140	25200	152	27360

Note: Values shown are subject to ±5%~±8% tolerance; Cable default A type;

Efficacy above is based on calculated @92% power efficiency ; Light efficacy of 3000K is 5% lower than other CCTs.

Dimensions



L (mm)	W (mm)	H (mm)
----------	----------	----------

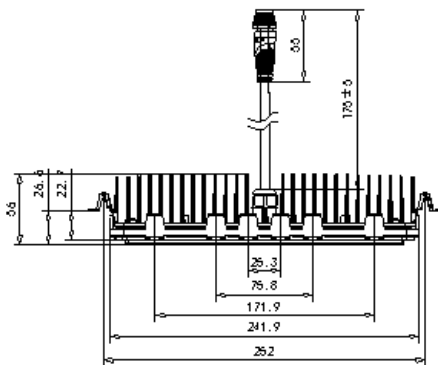
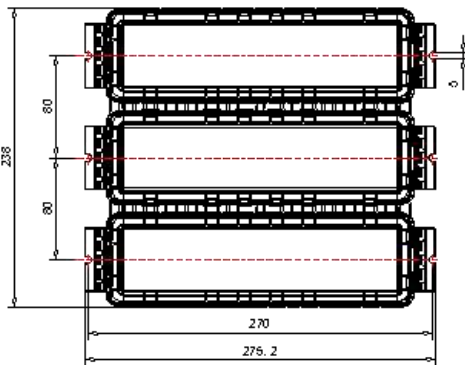
275.2 238 49~52

* Tolerance : ±0.5mm

* Different lenses, the height will be 5% tolerance.

Available lens model

1107	1113	2105
2109	2111	2123
2125	2127	2128
3106	3108	



L (mm)	W (mm)	H (mm)
----------	----------	----------

275.2 238 53-56

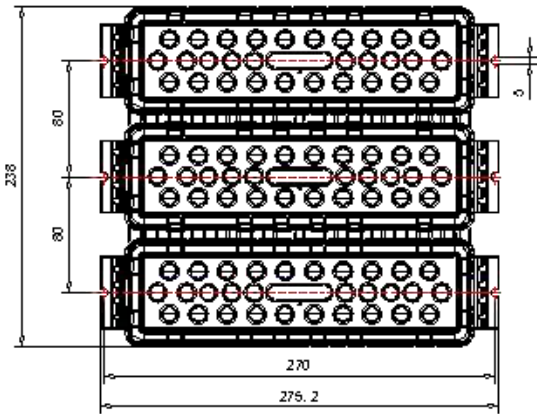
* Tolerance : ±0.5mm

* Different lenses, the height will be 5% tolerance.

Available lens model

2114	2501	2502	
2503	3125	3140	3505

Dimensions



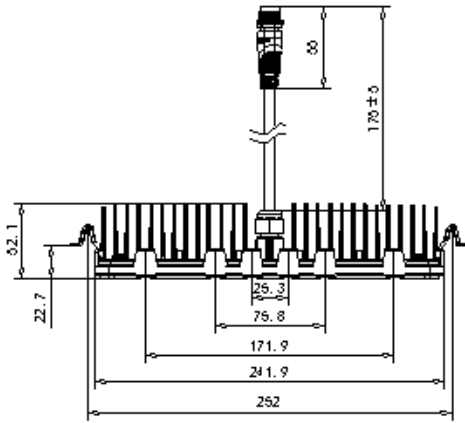
L (mm)	W (mm)	H (mm)
275.2	238	49-52

* Tolerance: ±0.5mm

* Different lenses, the height will be 5% tolerance.

Available lens model

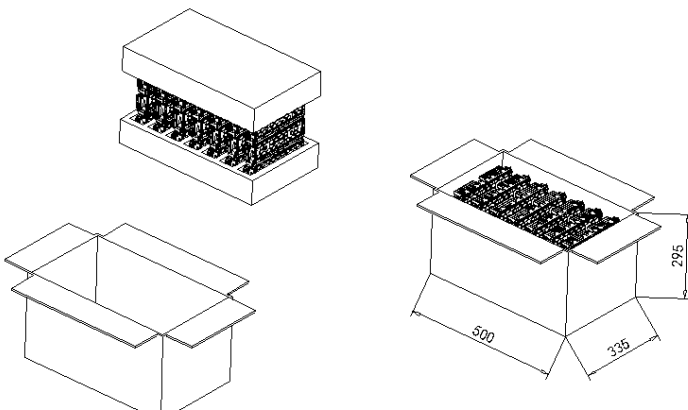
2190	2211	2212	2310
3160	3504		



Package Information

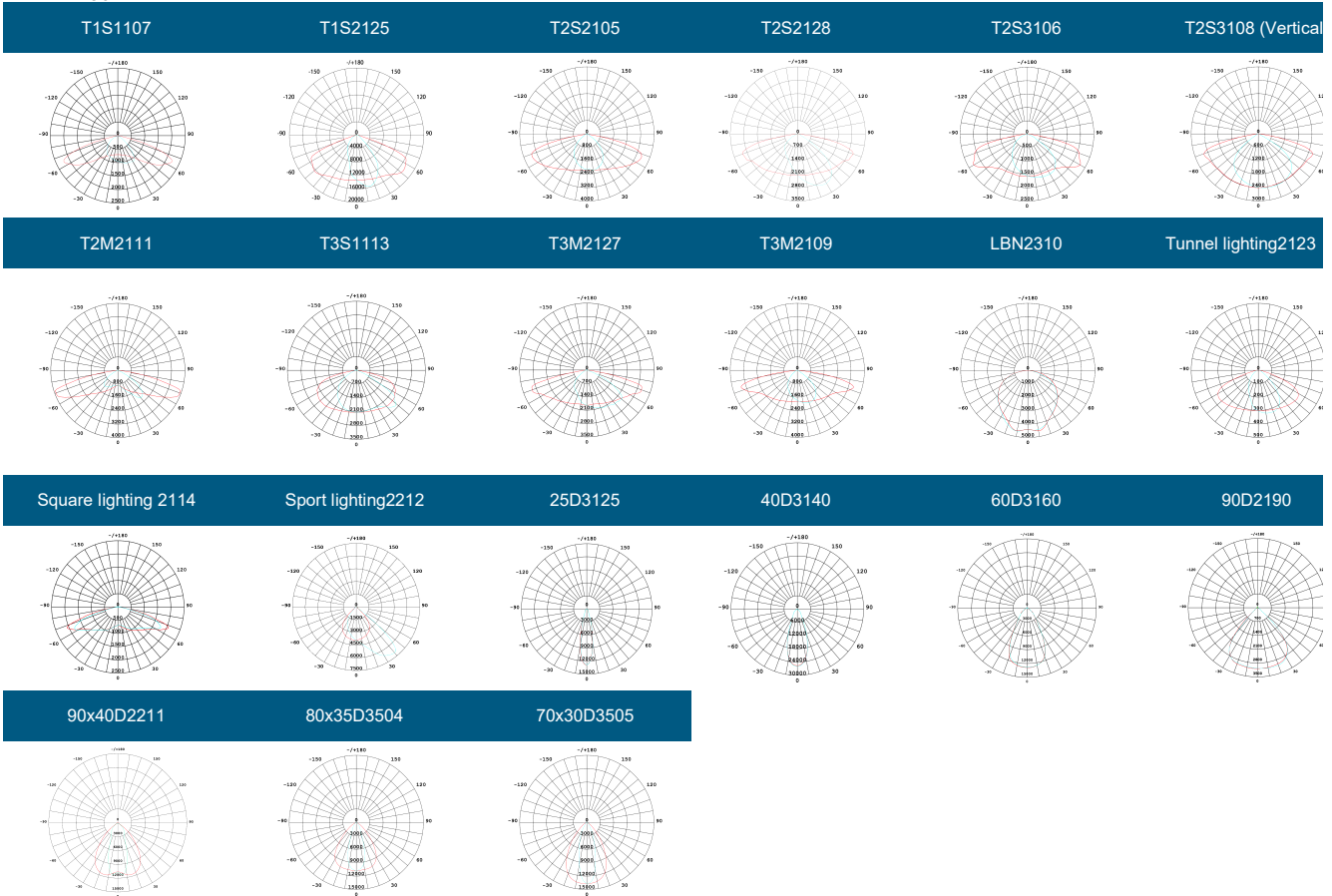
L (mm)	W (mm)	H (mm)	Module pcs/carton (PCS)	Package weight (kg)
500	335	295	7	15.5

Values shown are subject to ±5% tolerance.

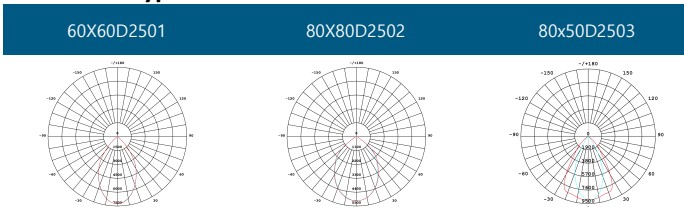


Light Distributions

Lens Type



Reflector Type



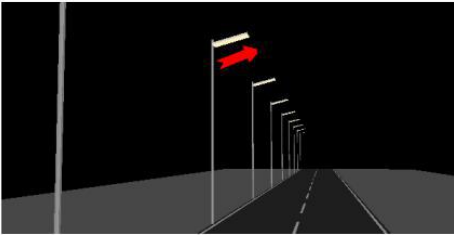
Direction of module installation

1. There is an arrow indicating the direction on the module, as shown in the figure below. If the arrow only faces one side on the module, the module should follow the arrow orientation installation. As shown in the example on the right, the module is irradiated in the direction of the road (on the right), and the arrows should be pointed when the module is installed

(Install to the right). The arrows on the module point to the same red arrows as in the figure.



2. If module without arrow means symmetrical light distribution, so direction of module installation is not limited.



Version History

Change Date	Version	Description of Change		
		Item	From	To
20190927	Ver1.0	Data sheets release (new version)	/	/
20200602	Ver1.1	Update package data	/	/
20210913	Ver1.2	Optimize product size and add direction of module installation	/	/