

# LED Module

## M7D

### Series



## Specification

**Working Environment:** -40°C~+50°C

**Storage Temperature:** -40°C~+50°C

**Relative humidity:** 10%~90%RH

**IP Rating of LED Light Engine:** IP67

**Color Temperature (CCT):** 3000K, 4000K, 5000K, 5700K

**Main Material:** Aluminum alloy 5052

**Module N.W.:** 0.235±0.011 kg

**Note :**

[1] Efficacy of 3000K is 5% lower than other CCTs.

[2] This module must be used for the luminaires with heat dissipation structures, shall not be used alone.

## Features

- Customized LEDs from a world-leading supplier;
- Super long lifetime(Lumen maintenance);
- Wide applicability for complex situations;
- High versatility apply for all sorts of lamps retrofit.

## Application

- Street lighting retrofit and application;
- Tunnel lighting retrofit and application;
- Garden lighting retrofit and application.

## Ordering Information

For example: M7D-XBH-36 -1961-7040-CM

Module Model	Interface	Dimension of LEDS	Wire Material	LED Qty	Lens Model	Ra & CCT	LED Brand
<b>M7D</b>	<b>X:</b> Universal interface	<b>B:</b> 5050	<b>A:</b> CCC+VDE	<b>36</b> 36PCS	<b>1961</b> Type I Short	<b>7030:</b> Ra≥70, 3000K	<b>CM:</b> Customized <b>XX:</b> Others
			<b>C:</b> PSE		<b>1967</b> Type I Short	<b>8040:</b> Ra≥80, 4000K	
			<b>H:</b> UL		<b>1969</b> Type II Short	...	
			<b>X:</b> Others		<b>2963</b> Tunnel lighting		

## Performance

Model	Power (W)	Driving current (mA)	Input voltage (Vdc)	Efficacy (lm/W)	Lumens (lm)
M7D-XBH	40	800	40~54	173	6920
M7D-XBH	50	1000	40~54	168	8400
M7D-XBH	60	1200	40~54	165	9900

Note : Values shown are subject to ±5%~±8% tolerance; Cable default H type;

Efficacy above is based on calculated @84% power efficiency ; Light efficacy of 3000K is 5% lower than other CCTs.

## Dimensions

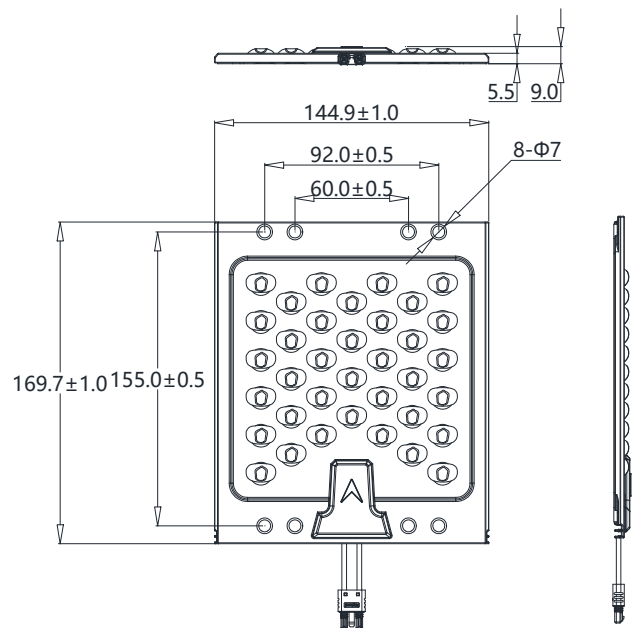
L (mm)	W (mm)	H (mm)
169.7	144.9	9.0

The height of the module is the maximum value.

Tolerance: ±0.5mm

### Available Lens Model

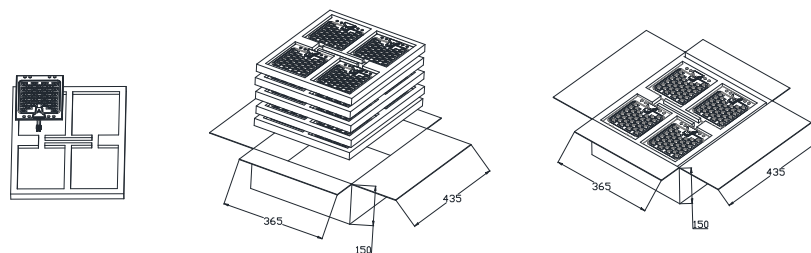
1961	1967	1969	2963
------	------	------	------



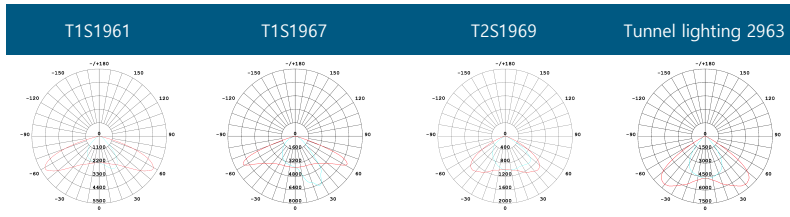
## Package Information

L (mm)	W (mm)	H (mm)	Module pcs/carton (PCS)	Package weight (kg)
435	365	150	20	6.2

Values shown are subject to ±5% tolerance.



## Lighting distributions



## Version History

Change Date	Version	Description of Change		
		Item	From	To
20180604	Ver2.0	Data sheets release (new version)	/	/
20190922	Ver2.1	Update of Company logo Improvement of light efficacy	/	/