

T1F

LED Street Light



Specifications

Input Voltage:	100 ~ 277Vac
Input Frequency:	50 / 60Hz
Power Factor (PF):	0.95
Surge Protection Level:	10kV line-earth
Operating Environment:	-40°C ~ +50°C, 10% ~ 90% RH
Color Temperature (CCT)*:	3000K, 4000K, 5000K, 5700K
Color Rendering Index (CRI):	≥70
Housing:	Die-cast Aluminum
IP Rating of LED Light Engine:	IP68
IP Rating of Luminaire:	IP67
Warranty:	5 Years Limited

Applications

- Roadway lighting
(Residential areas, overpasses, alleys...)
- Public areas lighting
(Theme parks, squares, parking lots...)

Features

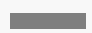

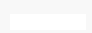
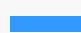
Construction

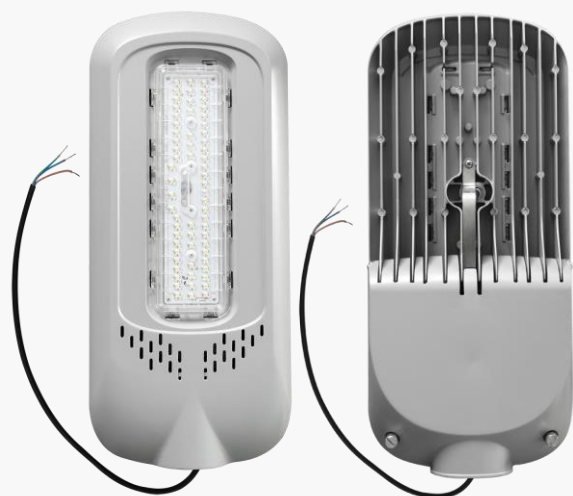
- Die-cast aluminum housing.
- Unique patented IP68 (highest protection level) LED light engines.
- Whole structure heating dissipation design with best thermal conduction and radiation.
- IP67 rated luminaire.

Distribution

- Ergonomic and dedicated lighting distributions are available for various roadway applications.

Finishing Colors

	Gray		Black
	White		Blue



T1F

LED Street Light

Ordering Information

Example: T1F-N1-50-CA-63-2322-7040-LU-MO-GY

Luminary Type	Module Qty.	System Power	LEDs Type	Cable Type	Qty. of LEDs	LEDs Code	
T Street light 1F 1F series	N1 1pcs Integral LED module	40 40W	A 3535	A CCC+VDE	18 18pcs	1502 Type I Short	
		50 50W	B 5050	C PSE	28 28pcs	3101 Type I Short	
		60 60W	C 3030	H UL	63 63pcs	1911 Type III Medium	
						3535 LEDs	
Lens Code		CRI	CCT	Brand of LEDs		Driver Brand	Housing Color
2344 Type II Short	2322 Type I Short	60 Ra≥60	30 3000K	LU LUMILEDS	IN INVENTRONICS	MO MOSO	BK Black
		70 Ra≥70	40 4000K	LN LUMINUS			
		80 Ra≥80	50 5000K	CM CUSTOMIZATION			
5050 LEDs	3030 LEDs	90 Ra≥90	57 5700K	XX OTHER	XX OTHER	WH White	
						BU Blue	GY Gray

Performance

Model	Power (W)	5050 LEDs-28pcs		3535 LEDs-18pcs		3030 LEDs-63pcs	
		Efficacy (lm/W)	Lumens (lm)	Efficacy (lm/W)	Lumens (lm)	Efficacy (lm/W)	Lumens (lm)
T1F	40	168	6,720	130	5,200	135	5,400
	50	163	8,150	122	6,100	130	6,500
	60	155	9,300	117	7,020	122	7,320

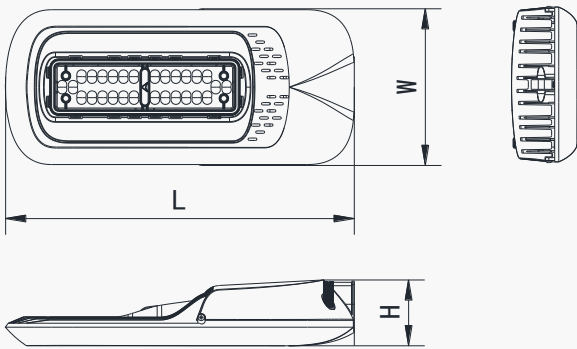
*Above values are calculated based on the product with CCT over 3000K, values of 3000K are 5% lower than above values.

*Values shown are subject to ±5%~±8% tolerance.

Dimensions

Model	L (mm)	W (mm)	H (mm)	Available Pole O.D. (mm)	Max. Installation Depth (mm)	N.W.* (kg)
T1F	435	195	85	57~63	55	2.7

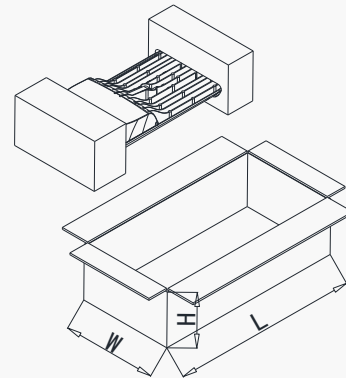
Note: Values shown are subject to ±5% tolerance.



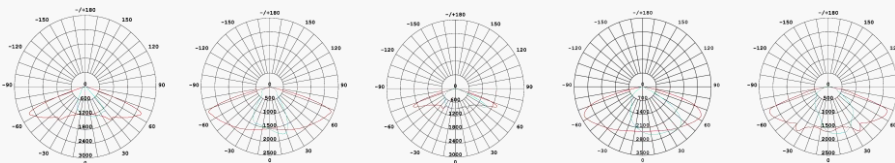
Package Information

Model	L (mm)	W (mm)	H (mm)	G.W.* (kg)
T1F	495	250	145	3.2

Note: Values shown are subject to ±5% tolerance.



Distributions



T1S1502	T1S3101	T3M1911	T2S2344	T1S2322
3535 LEDs		5050 LEDs		3030 LEDs

Version History

Change Date	Version	Description of Change		
		Item	From	To
2019/03/11	/	Datasheet release		