

T1H

LED Street Light



Specifications

Input Voltage:	100 ~ 240Vac
Input Frequency:	50 / 60Hz
Power Factor (PF):	0.95
Surge Protection Level:	10kV line-earth
Operating Environment:	-40°C ~ +50°C, 10% ~ 90% RH
Color Temperature (CCT)*:	3000K, 4000K, 5000K, 5700K
Color Rendering Index (CRI):	≥70
Housing:	Die-cast Aluminum
IP Rating of LED Light Engine:	IP68
IP Rating of Luminaire:	IP67
Warranty:	5 Years Limited

Applications

- Roadway lighting
(Residential areas, overpasses, alleys...)
- Public areas lighting
(Theme parks, squares, parking lots...)

Features

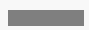

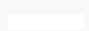

Construction

- Die-cast aluminum housing.
- Unique patented IP68 (highest protection level) LED light engines.
- Whole structure heating dissipation design with best thermal conduction and radiation.
- IP67 rated luminaire.

Distribution

- Ergonomic and dedicated lighting distributions are available for various roadway applications.

Finishing Colors

	Gray		Black
	White		Blue



T1H

LED Street Light

Ordering Information

Example: T1H-N1-80-CA-84-2206-7040-LU-MO-GY

Luminary Type	Module Qty.	System Power	LEDs Type	Cable Type	Qty. of LEDs	LEDs Code
T Street light 1H 1H series	N1 1pcs Integral LED module	80 80W	C 3030	A CCC+VDE C PSE H UL X OTHER	84 84pcs	2206 Type I Short
CRI	CCT	Brand of LEDs	Driver Brand	Housing Color		
60 Ra≥60	30 3000K	LU LUMILEDS	IN INVENTRONICS	BK Black		
70 Ra≥70	40 4000K	LN LUMINUS	MO MOSO	WH White		
80 Ra≥80	50 5000K	CM CUSTOMIZATION	XX OTHER	BU Blue		
90 Ra≥90	57 5700K	XX OTHER		GY Gray		

Performance

Model	Power (W)	Efficacy (lm/W)	Lumens (lm)
T1H	80	122	9,760

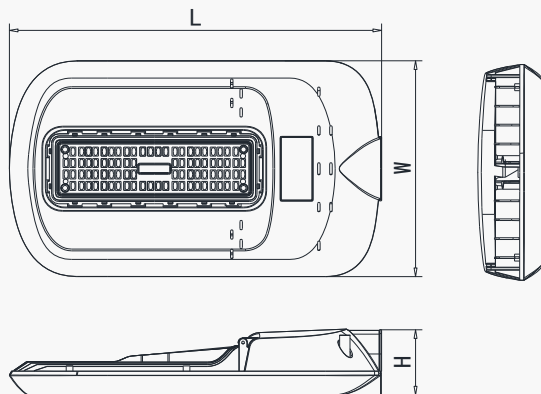
*Above values are calculated based on the product with CCT over 3000K, values of 3000K are 5% lower than above values.

*Values shown are subject to ±5%~±8% tolerance.

Dimensions

Model	L (mm)	W (mm)	H (mm)	Available Pole O.D. (mm)	Max. Installation Depth (mm)	N.W.* (kg)
T1H	435	250	80	Φ57~63	60	3.5

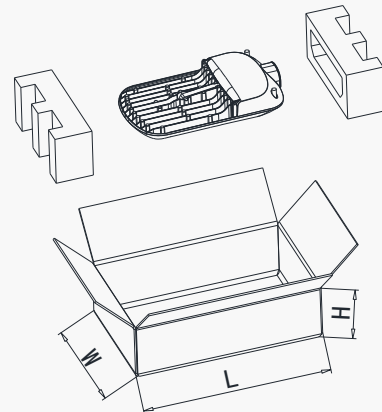
Note: Values shown are subject to ±5% tolerance.



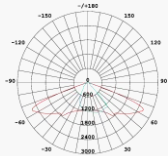
Package Information

Model	L (mm)	W (mm)	H (mm)	G.W.* (kg)
T1H	520	330	155	4.4

Note: Values shown are subject to ±5% tolerance.



Distributions



T1S2206

Version History

Change Date	Version	Item	Description of Change	
			From	To
2019/03/13	/	Datasheet release		