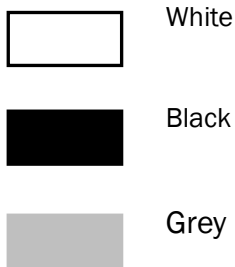


Applications

- Roadway lighting
(Urban road, street, expressway...)
- Area lighting
(City hall square, business district, Parking lot...)

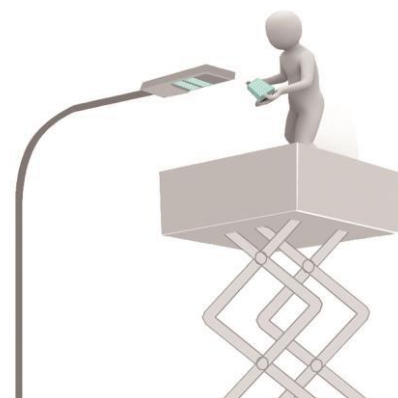


Standard Colors


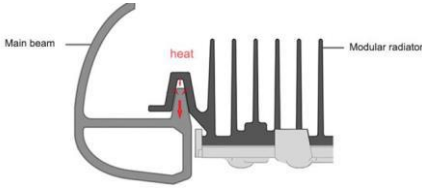

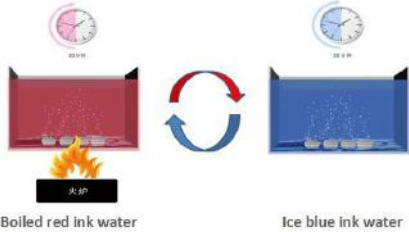




Features

- Honeycomb briquette burning effect and the whole structure cooling technology;
- Modular pluggable technology, tool-free onsite maintenance;
- Double-coupling IP68 protection, highest waterproof level;
- Ergonomic lighting distribution to achieve uniform illuminating effect;
- Free modular serialization and full power range solution.



HPWINNER's Technical Advantages

		
<p>Air Convection Effect</p>	<p>Whole-structure Heat Dissipation</p>	<p>Tool-less Maintenance</p>
	 <p>Extreme efficacy, best performance and compatibility</p> <p>Hot color targeted 6V QFN package delivering high flux</p> <p>The high lumen, high efficacy, multi-die single emitter committed to lowering lighting system cost</p>	
<p>Double-coupling IP68 Protection</p>	<p>High-efficacy LED Light Source</p>	<p>Flexible Combinations of Modules</p>

Electrical & Photometric

- Adopt Lumileds LEDs

Model	Input Voltage (V) Frequency Range (Hz)	Drive Current (mA)	Power (w)	M1A ^①		M8B		Power Factor	Power Efficiency	LED Brand	CCT (k)	CRI
				Luminous Efficacy (lm/w)	Lumens (lm)	Luminous Efficacy (lm/w)	Lumens (lm)					
T32A-1	AC100-240 50/60	700	40	105±5	4200±200	120±5	4800±200	0.95	88%	Lumileds	3000 4000 5000 5700	≥70
		860	50	100±5	5000±250	115±5	5750±250					
		1050	60	95±5	5700±300	110±5	6600±300					
T32A-2	AC100-240 50/60	700	80	110±5	8800±400	125±5	10000±400	0.95	91%			
		860	100	105±5	10500±500	120±5	12000±500					
		1050	120	100±5	12000±600	115±5	13800±600					
T32A-3	AC100-240 50/60	700	120	110±5	13200±600	125±5	15000±600	0.95	91%			
		860	150	105±5	15750±750	120±5	18000±750					
		1050	180	100±5	18000±900	115±5	20700±900					
T32A-4	AC100-240 50/60	700	160	110±5	17600±800	125±5	20000±800	0.95	91%			
		860	200	105±5	21000±1000	120±5	24000±1000					
		1050	240	100±5	24000±1200	115±5	27600±1200					
T32A-5	AC100-240 50/60	700	200	110±5	22000±1000	125±5	25000±1000	0.95	91%			
		860	250	105±5	26250±1250	120±5	30000±1250					
		1050	300	100±5	30000±1500	115±5	34500±1500					
T32A-6	AC100-240 50/60	700	240	110±5	26400±1200	125±5	30000±1200	0.95	91%			
		860	300	105±5	31500±1500	120±5	36000±1500					
		1050	360	100±5	36000±1800	115±5	41400±1800					
T32A-7	AC100-240 50/60	700	280	110±5	30800±1400	125±5	35000±1400	0.95	91%			
		860	350	105±5	36750±1750	120±5	42000±1750					
		1050	420	100±5	42000±2100	115±5	48300±2100					

① For M1A module, Luminous Efficacy of 3000K is 5% lower than other CCTs.

- Adopt Customized Chips from World-leading Supplier

Model	Input Voltage (V) Frequency Range(Hz)	Drive Current (mA)	Power (w)	M16B		Power Factor	Power Efficiency	LED Brand	CCT (k)	CRI
				Luminous Efficacy (lm/w)	Lumens (lm)					
T32A-1	AC100-240 50/60	600 (9P2S)	30	150±8	4500±240	0.95	88%	Customized Chips from World-leading Supplier	3000 4000 5000 5700	≥70
		600 (14P2S)	30	158±8	4740±240					
		800 (9P2S)	40	145±8	5800±320					
		800 (14P2S)	40	153±8	6120±320					
		1000 (9P2S)	50	138±8	6900±400					
		1000 (14P2S)	50	147±8	7350±400					
		1200 (9P2S)	60	130±8	7800±480					
		1200 (14P2S)	60	140±8	8400±480					

Electrical & Photometric

- Adopt Customized Chips from World-leading Supplier

Model	Input Voltage (V) Frequency Range(Hz)	Drive Current (mA)	Power (w)	M16B		Power Factor	Power Efficiency	LED Brand	CCT (k)	CRI
				Luminous Efficacy (lm/w)	Lumens (lm)					
T32A-2	AC100-240 50/60	800 (9P2S)	80	150±8	12000±640	0.95	91%	Customized Chips from World-leading Supplier	3000 4000 5000 5700	≥70
		800 (14P2S)	80	158±8	12640±640					
		1000 (9P2S)	100	143±8	14300±800					
		1000 (14P2S)	100	152±8	15200±800					
		1200 (9P2S)	120	135±8	16200±960					
		1200 (14P2S)	120	145±8	17400±960					
T32A-3	AC100-240 50/60	800 (9P2S)	120	150±8	18000±960	0.95	91%	Customized Chips from World-leading Supplier	3000 4000 5000 5700	≥70
		800 (14P2S)	120	158±8	18960±960					
		1000 (9P2S)	150	143±8	21450±1200					
		1000 (14P2S)	150	152±8	22800±1200					
		1200 (9P2S)	180	135±8	24300±1440					
		1200 (14P2S)	180	145±8	26100±1440					
T32A-4	AC100-240 50/60	800 (9P2S)	160	150±8	24000±1280	0.95	91%	Customized Chips from World-leading Supplier	3000 4000 5000 5700	≥70
		800 (14P2S)	160	158±8	25280±1280					
		1000 (9P2S)	200	143±8	28600±1600					
		1000 (14P2S)	200	152±8	30400±1600					
		1200 (9P2S)	240	135±8	32400±1920					
		1200 (14P2S)	240	145±8	34800±1920					
T32A-5	AC100-240 50/60	800 (9P2S)	200	150±8	30000±1600	0.95	91%	Customized Chips from World-leading Supplier	3000 4000 5000 5700	≥70
		800 (14P2S)	200	158±8	31600±1600					
		1000 (9P2S)	250	143±8	35750±2000					
		1000 (14P2S)	250	152±8	38000±2000					
		1200 (9P2S)	300	135±8	40500±2400					
		1200 (14P2S)	300	145±8	43500±2400					
T32A-6	AC100-240 50/60	800 (9P2S)	240	150±8	36000±1920	0.95	91%	Customized Chips from World-leading Supplier	3000 4000 5000 5700	≥70
		800 (14P2S)	240	158±8	37920±1920					
		1000 (9P2S)	300	143±8	42900±2400					
		1000 (14P2S)	300	152±8	45600±2400					
		1200 (9P2S)	360	135±8	48600±2880					
		1200 (14P2S)	360	145±8	52200±2880					
T32A-7	AC100-240 50/60	800 (9P2S)	280	150±8	42000±2240	0.95	91%	Customized Chips from World-leading Supplier	3000 4000 5000 5700	≥70
		800 (14P2S)	280	158±8	44240±2240					
		1000 (9P2S)	350	143±8	50050±2800					
		1000 (14P2S)	350	152±8	53200±2800					
		1200 (9P2S)	420	135±8	56700±3360					
		1200 (14P2S)	420	145±8	60900±3360					

Working environment & Packing

Model	Working Environment	Storage Temperature	IP Rating	LED Life Span (h)	Housing Material	Pole Diameter (mm)	Product Dimensions (mm)	Carton Size (mm)	N.W (kg)	G.W (kg)
T32A-1	-40℃ ~+50℃, 10%~90%RH.	-40℃ ~+50℃	LED Module IP68 Power Supply IP67	>50,000	Metal	37-43 57-63	445*365*165	515*435*235	5.3	6.9
T32A-2							525*365*165	595*435*235	6.3	8.0
T32A-3							605*365*165	675*435*235	7.2	9.0
T32A-4							685*365*165	755*435*235	8.2	10.1
T32A-5							765*365*165	835*435*235	9.2	11.1
T32A-6							845*365*165	915*435*235	11.1	13.2
T32A-7							925*365*165	995*435*235	12.0	14.3

Note: Above data of weight are all typical values.

Warranty

5-year limited warranty is standard on luminaire and components.

Light Distributions

M1A LED module



<p>T1S1501</p> <p>IESNA Type I Short</p>	<p>T1S3501</p> <p>IESNA Type I Short</p>	<p>T4M5703</p> <p>IESNA Type IV Short</p>
<p>T3M2701</p> <p>IESNA Type III Medium</p>	<p>T1S3100</p> <p>IESNA Type I Short</p>	<p>T2M3702</p> <p>IESNA Type II Medium</p>
<p>T1S1810</p> <p>IESNA Type I Short</p>	<p>T3M3910</p> <p>IESNA Type III Medium</p>	

Light Distributions

M8B LED module



T2S2321	T3M1321	T2S5321
IESNA Type II Short	IESNA Type III Medium	IESNA Type II Short
T2S1324		
IESNA Type III Short		

Light Distributions

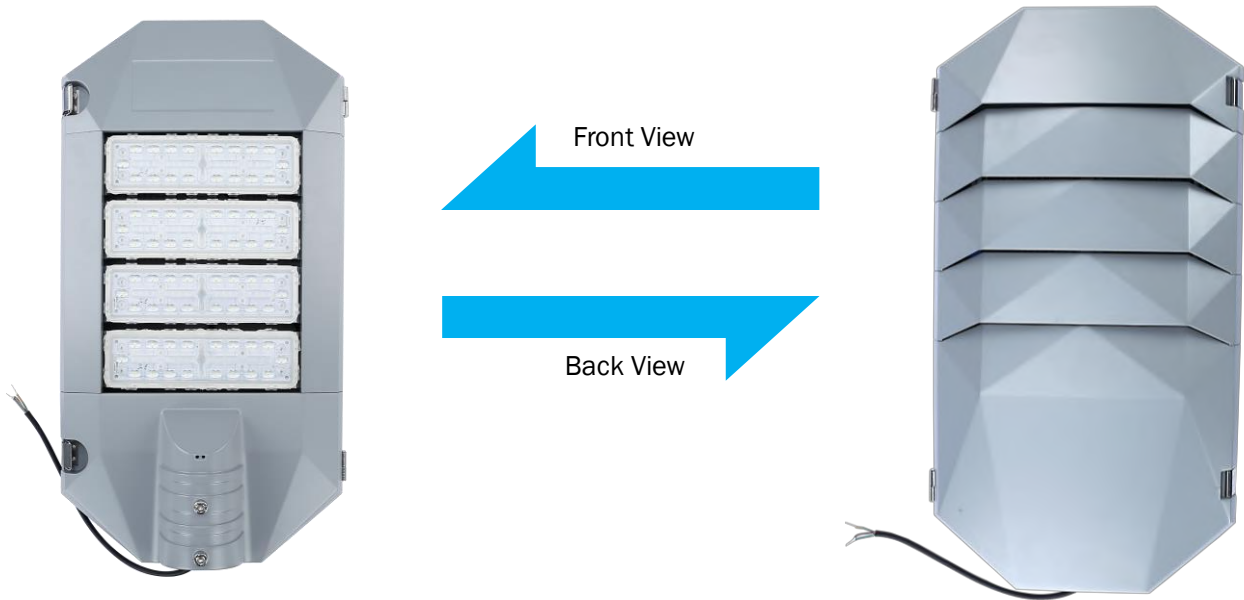
M16B LED module



T2S3106	T1S1107	T2S2105
IESNA Type II Short	IESNA Type I Short	IESNA Type II Short
T2M2109		
IESNA Type II Medium		

Design Features

- External Design Features

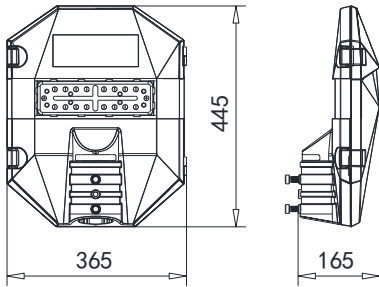


- Internal Design Features

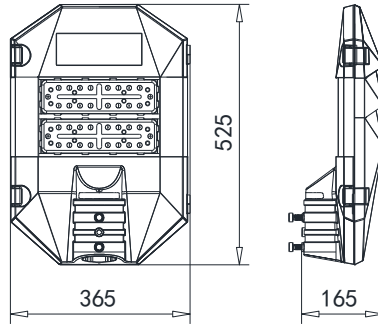


Dimensions

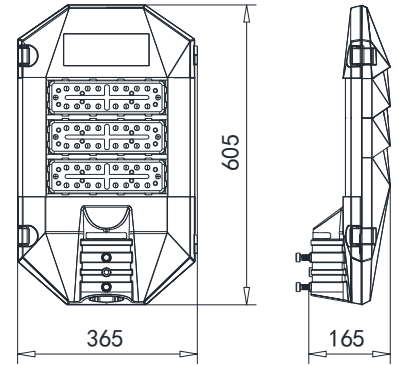
T32A-1



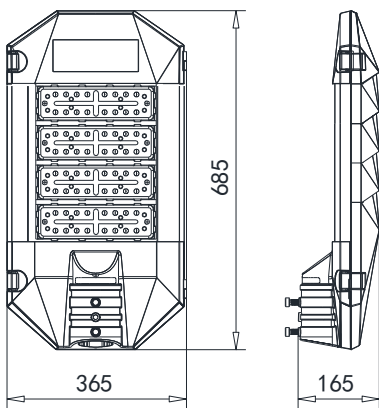
T32A-2



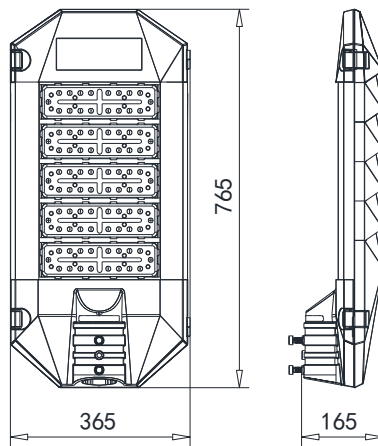
T32A-3



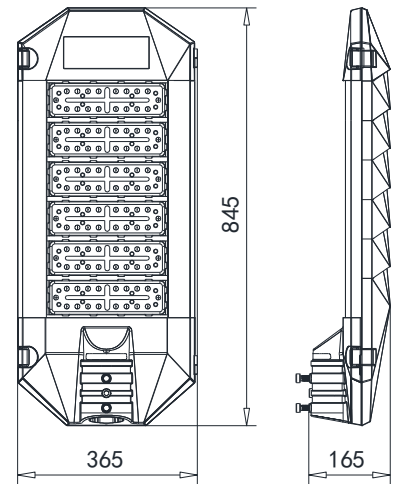
T32A-4



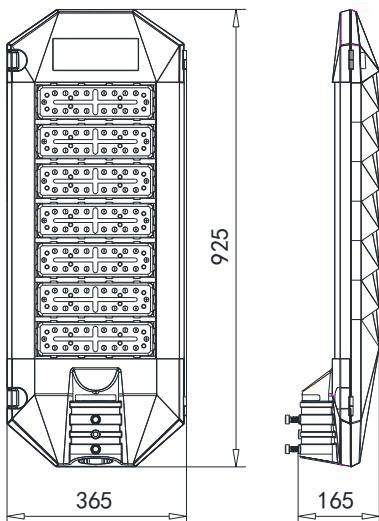
T32A-5



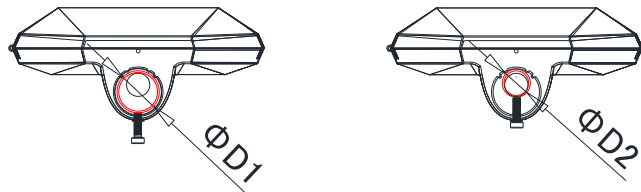
T32A-6



T32A-7



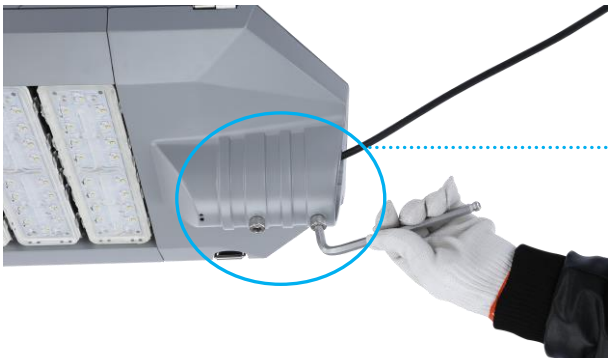
Mounting Hole



ΦD1 Installation Diameter:57-63mm ; Installation Depth : 115-125mm

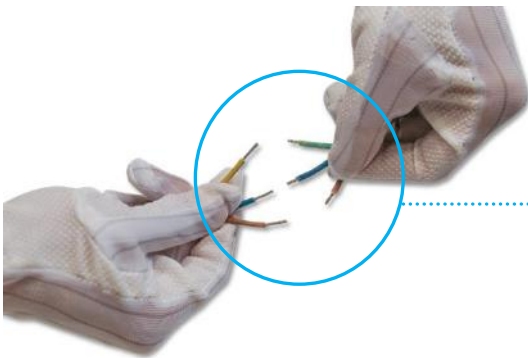
ΦD2 Installation Diameter:37-43mm ; Installation Depth : 115-125mm

Installation



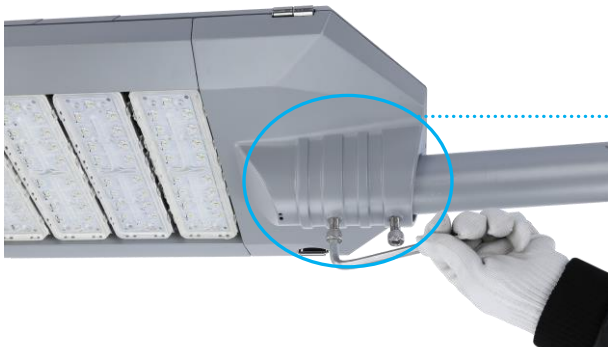
1

Loosen the two stainless-steel M10x45 hexagon socket head cap screws on the tube for pole mounting.



2

2. Connect the wires to the AC input. Make sure the wiring correct and grounding reliable.



3

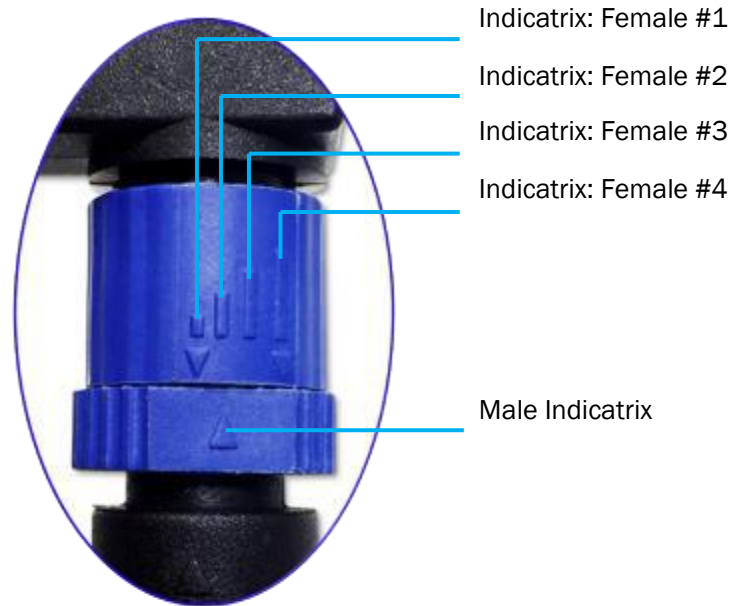
Infix the luminaries onto a pole. Tighten up the two M10X45 screws on the tube.



4

Installation finished.

Connectors Operation Guide










Spin the male terminal clockwise. When the male indicatrix points between indicatrix female #2 and #3, and the gap between male and female terminals is extremely small, the connectors are well connected; otherwise, there will be risks in its waterproof performance.

When the gap between male and female terminals is extremely small, if any looseness can be sensed, please spin the male terminal clockwise until tight.

Maintenance







Driver & Electrical Parts

		
<p>1. Loosen the two latches on the side.</p>	<p>2. Open the cover.</p>	<p>3. Undo the two M4x6 cross recessed pan head screws at the ends of the failed driver.</p>
		
<p>4. Disconnect the driver from the connector to modules.</p>	<p>5. Undo the two M4x12 cross recessed pan head screws on the cable clip.</p>	<p>6. Replace the failed driver with a new one.</p>
		
<p>7. Connect and tighten up each part back step by step. Maintenance finished.</p>		

Note: Disconnect wiring from the input and remove the lamp to the work table before maintenance.

Maintenance

Module

		
<p>1. Loosen the two latches on the side.</p>	<p>2. Open the cover.</p>	<p>3. Undo the two M4x10 screws at the ends of the failed module.</p>
		
<p>4. Disconnect the failed module from the connector.</p>	<p>5. Replace the failed module with a new one.</p>	<p>6. Connect and tighten up each part back step by step. Maintenance finished.</p>

Note: Disconnect wiring from the input and remove the lamp to the work table before maintenance.

Ordering Information

Example: T32A-4-200GY-M1L3501-740-IN

Ordering Information	T 32A 4 - 200 GY - M1 L 3501 - 7 40 - IN
	1 2 3 4 5 6 7 8 9 10 11
1. Luminary Type	T: Street light TS: Tunnel light TF: High bay light FL: Flood light GL: Garden light
2. Luminary Series	1A 1B 1D 1F 2A 2C 3A 3B
3. Module Qty	N: Non-modular luminary 1: 1 module 2: 2 modules 3: 3 modules 4: 4 modules
4. System Power	10: 10W 20: 20W 30: 30W 40: 40W 50: 50W
5. Housing Color	BK: Black WH: White GY: Grey SR: Silver BU: Blue BUWH: Blue top & White base BUGY: Blue top & Grey base OTH: Other
6. Module Series	Blank: Non-modular luminary M1: M1 module M2: M2 module M5: M5 module
7. LED Brand	X: Customized LEDs L: LUMILEDS C: CREE O: OSRAM N: NICHIA S: SAMSUNG
8. Lens Code	3501 3100 3702 3910 2701 5703 3040 1812 1412
9. CRI	6: ≥60 7: ≥70 8: ≥80 9: ≥90 OTH: Other
10. CCT	30: 3000K 40: 4000K 50: 5000K 57: 5700K
11. Driver Brand	MO: MOSO MW: MEAN WELL PH: PHILIPS IN: INVENTRONICS AD: ADAYO OTH: Other

Revision History

Change Date	Rev.	Description of Change		
		Item	From	To
2016/03/29	Rev1.0	Datasheets Release	/	Add
2017/04/20	Rev1.1	M16B module	/	Modification