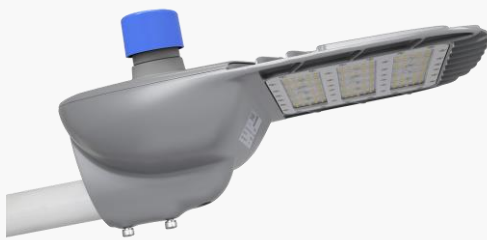


T33C/D/E

LED Street Light



Specifications

Input Voltage:	100 ~ 277Vac
Input Frequency:	50 / 60Hz
Power Factor (PF):	0.95
Surge Protection Level:	10kV line-earth
Operating Environment:	-40°C ~ +45°C *, 10% ~ 90% RH
Color Temperature (CCT):	3000K, 4000K, 5000K, 5700K
Color Rendering Index (CRI):	≥70
Housing:	Die-cast Aluminum
IP Rating of LED Light Engine:	IP68
IP Rating of Electrical Compartment:	IP66
Impact Protection Level:	IK08
Warranty:	5 Years Limited

*-40°C ~ +50°C is available for T33C.

Applications

- Roadway lighting
(Residential areas, overpasses, alleys...)
- Public areas lighting
(Theme parks, squares, parking lots...)

Features

Construction

- Die-cast aluminum housing.
- Unique patented IP68 LED light engines.
- Whole structure heating dissipation design with best thermal conduction and radiation.
- IP66 rated electrical compartment.

Distribution

- Ergonomic and dedicated lighting distributions are available for various roadway applications.

Control

- Optional NEMA receptacle & photocell/shorting cap.

Finishing Colors

	Gray		Black
	White		Blue



T33C/ T33D/ T33E

LED Street Light

Ordering Information

Example: T33C-N2-120P-BA-28-2105-7040-CM-MO-WH

Luminary Type		Module Qty.	System Power		Photocell Options		LED Package	Cable Standard	LED Qty. per module		
T	Street light	N2	2pcs Integral LED module	80	80W	P	Photocell	B	CCC+VDE	18	18pcs
33C	33C series	N3	3pcs Integral LED module	100	100W	S	Shorting Cap	C	PSE	28	28pcs
33D	33D series	N4	4pcs Integral LED module	...					H	63	63pcs
33E	33E series			200	200W				X		
				240	240W						

Lens Code			CRI & CCT			Brand of LEDs		Driver Brand		Housing Color			
1107	Type I Short	1113	Type III Short	2340	Type I Short	7030	Ra≥70, 3000K	LU	LUMILEDS	IN	INVENTRONICS	BK	Black
2105	Type II Short	2109	Type III Medium	1397	Type II Short	7040	Ra≥70, 4000K	LN	LUMINUS	MO	MOSO	WH	White
2128	Type II Short	2127	Type III Medium	2398	Type III Short	7050	Ra≥70, 5000K	CM	CUSTOMIZATION	XX	OTHER	BU	Blue
2111	Type II Medium	2040	Type V			7057	Ra≥70, 5700K	XX	OTHER			GY	Gray
3106	Type II Short	2114	Type V										

5050 LEDs		3030 LEDs	

Performance

Model	Power (W)	5050 LEDs – 28pcs		5050 LEDs – 18pcs		3030 LEDs - 63pcs	
		Efficacy (lm/W)	Efficacy (lm/W)	Efficacy (lm/W)	Lumens (lm)	Efficacy (lm/W)	Lumens (lm)
T33C-N2	80	175	14,000	160	12,800	140	11,200
	100	170	17,000	150	15,000	135	13,500
	120	163	19,560	140	16,800	127	15,240
T33D-N3	120	175	21,000	160	19,200	140	16,800
	150	170	25,500	150	22,500	135	20,250
	180	163	29,340	140	25,200	127	22,860
T33E-N4	160	175	28,000	160	25,600	140	22,400
	200	170	34,000	150	30,000	135	27,000
	240	163	39,120	140	33,600	127	30,480

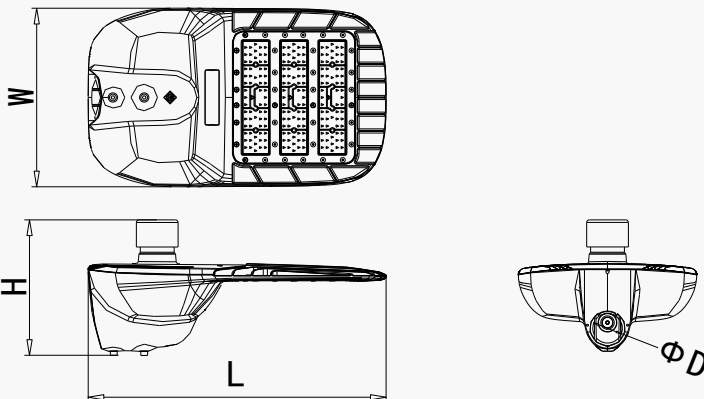
*Above values are calculated based on the product with CCT over 3000K, values of 3000K are 5% lower than above values.

*Values shown are subject to ±5%~±8% tolerance.

Dimensions

Model	L (mm)	W (mm)	H (mm)	ΦD (mm)	Available Pole O.D. (mm)	Max. Depth for Installation (mm)	N.W.* (kg)
T33C	495	340	260	64	Φ57~63	130	5.3
T33D	570	340	260	64	Φ57~63	130	6.0
T33E	655	340	260	64	Φ57~63	130	6.9

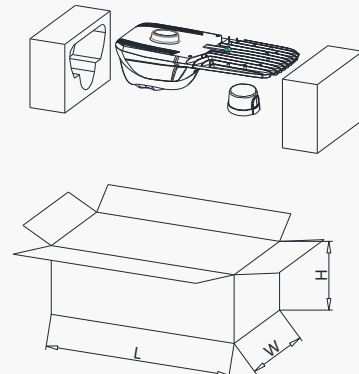
Note: Values shown are subject to ±5% tolerance.



Package Information

Model	L (mm)	W (mm)	H (mm)	G.W.* (kg)
T33C	560	420	285	6.4
T33D	635	420	285	8.2
T33E	720	420	285	9.2

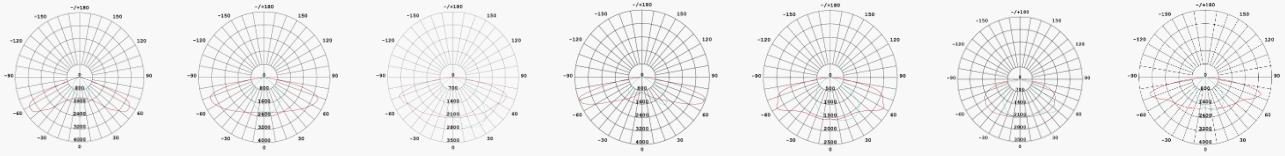
Note: Values shown are subject to ±5% tolerance.



T33C/ T33D/ T33E

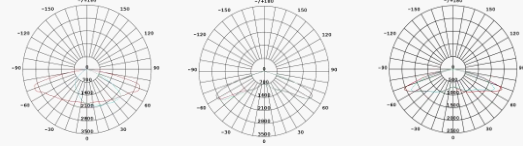
LED Street Light

Distributions



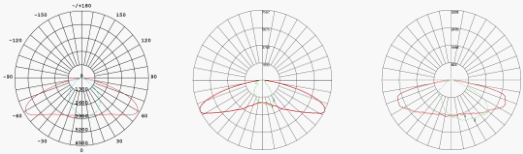
5050 LEDs

T1S1107 T2S2105 T2S2128 T2M2111 T2S3106 T3S1113 T3M2109



T3M2127 T5S2040 T5S2114

3030 LEDs



T1S2340 T2S1397 T3S2398

Accessories

Photocell Options



Photocell



Shorting Cap

Mounting Adaptor Options



PA Series

Version History

Change Date	Version	Description of Change		
		Item	From	To
2019/10/24	/	Datasheet release		