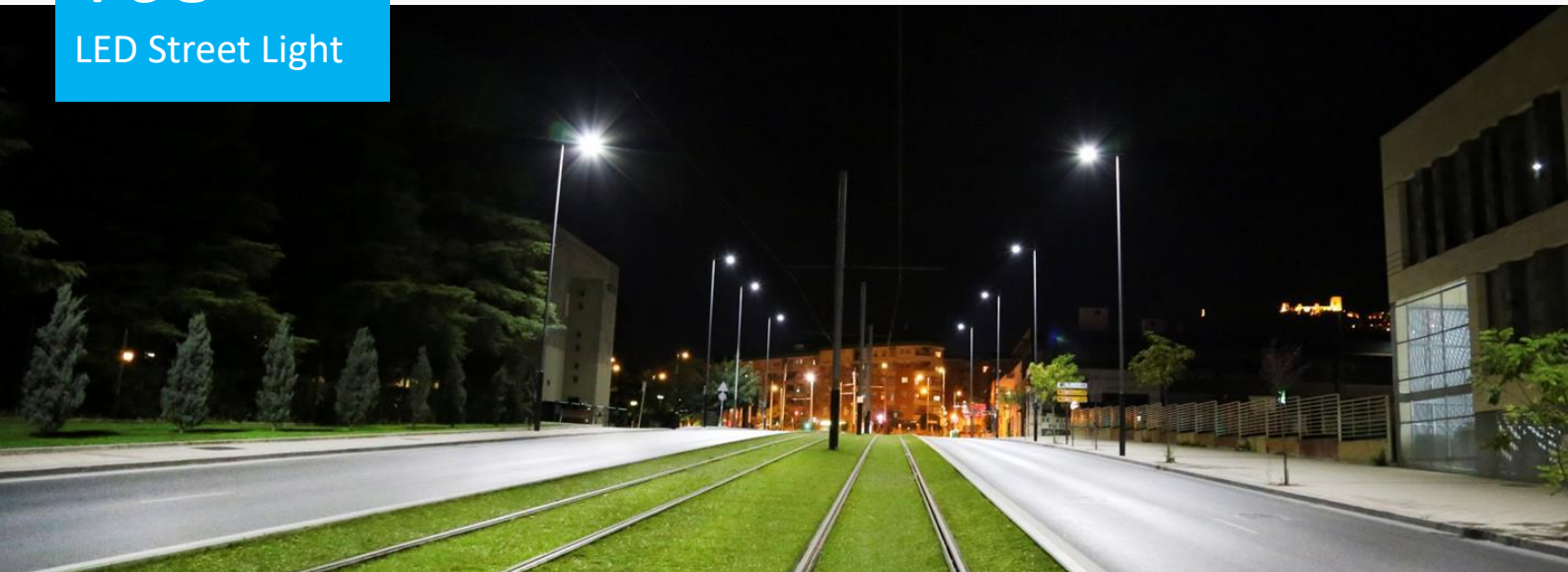


# T68

## LED Street Light



### Specifications

<b>Input Voltage:</b>	100 ~ 277Vac
<b>Input Frequency:</b>	50 / 60Hz
<b>Power Factor (PF):</b>	0.95
<b>Surge Protection Level:</b>	10kV line-earth
<b>Operating Environment:</b>	-40°C ~ +50°C, 10% ~ 90% RH
<b>Color Temperature (CCT):</b>	3000K, 4000K, 5000K, 5700K
<b>Color Rendering Index (CRI):</b>	≥70
<b>Housing:</b>	Die-cast Aluminum
<b>IP Rating of LED Light Engine:</b>	IP68
<b>IP Rating of Electrical Compartment:</b>	IP66
<b>Warranty:</b>	5 Years Limited

### Applications

- Roadway lighting  
(Urban roads, residential areas, overpasses...)
- Public areas lighting  
(Theme parks, squares, parking lots...)

### Features

#### Construction

- Die-cast aluminum housing.
- Latches provide easy, tool-less access to the electrical compartment.
- Unique patented IP68 (highest protection level) LED light engines.

#### Distribution

- Ergonomic and dedicated lighting distributions are available for various roadway applications.

#### Control

- Optional NEMA receptacle & photocell/shorting cap.

### Finishing Colors

	Gray		Black
	White		Blue



# T68

LED Street Light

## Ordering Information

Example: T68-N1-60-BA-34-1881-7040-CM-MO-GY

Luminary Type	Module Qty.	System Power	LEDs Type	Cable Type	Qty. of LEDs
<b>T</b> Street light	<b>N1</b> 1pcs Integral LED module	<b>60</b> 60W	<b>B</b> 5050	<b>A</b> CCC+VDE	<b>34</b> 34pcs
<b>68</b> 68 series	<b>N2</b> 2pcs Integral LED module	<b>100</b> 100W		<b>C</b> PSE	<b>51</b> 51pcs
	<b>N3</b> 3pcs Integral LED module	<b>120</b> 120W		<b>H</b> UL	
	<b>N4</b> 4pcs Integral LED module	<b>180</b> 180W		<b>X</b> OTHER	
		<b>240</b> 240W			
Lens Code	CRI	CCT	Brand of LEDs	Driver Brand	Housing Color
<b>1881</b> Type I Short	<b>1884</b> Type I Short	<b>60</b> Ra≥60	<b>LU</b> LUMILEDS	<b>IN</b> INVENTRONICS	<b>BK</b> Black
<b>1882</b> Type II Short	<b>1885</b> Type II Short	<b>70</b> Ra≥70	<b>LN</b> LUMINUS	<b>MO</b> MOSO	<b>WH</b> White
<b>1887</b> Type II Medium	<b>1888</b> Type II Medium	<b>80</b> Ra≥80	<b>CM</b> CUSTOMIZATION	<b>XX</b> OTHER	<b>BU</b> Blue
<b>2883</b> Type III Medium	<b>2886</b> Type III Medium	<b>90</b> Ra≥90	<b>XX</b> OTHER		<b>GY</b> Gray
<b>1846</b> Type II Short					
T68N1 & T68N2	T68N3 & T68N4				

## Performance

Model	Power (W)	34pcs per Module		51pcs per Module	
		Efficacy (lm/W)	Lumens (lm)	Efficacy (lm/W)	Lumens (lm)
T68N1	60	160	9,600		
T68N1	100			160	16,000
T68N2	120	167	20,040		
T68N3	180	167	30,060		
T68N4	240	167	40,080		

\*Above values are calculated based on the product with CCT over 3000K, values of 3000K are 5% lower than above values.

\*Values shown are subject to ±5%~±8% tolerance.

## Dimensions

Model	L (mm)	W (mm)	H (mm)	N.W.* (kg)
T68N1	540	240	165	4.1
T68N1*	625	215	165	4.3
T68N2	670	240	165	4.8
T68N3	735	310	165	6.1
T68N4	835	310	165	7.0

\*Values shown are subject to ±5% tolerance.

\*This T68N1 has 51pcs LEDs

Model	L (mm)	W (mm)	H (mm)	N.W.* (kg)
T68N1	450	240	255	4.1
T68N1*	540	215	255	4.3
T68N2	580	240	255	4.8
T68N3	645	310	255	6.1
T68N4	745	310	255	7.0

\*Values shown are subject to ±5% tolerance.

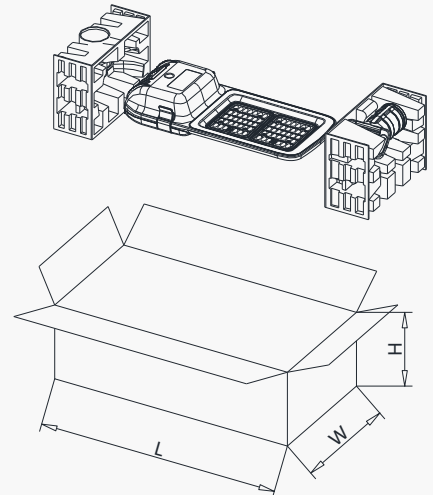
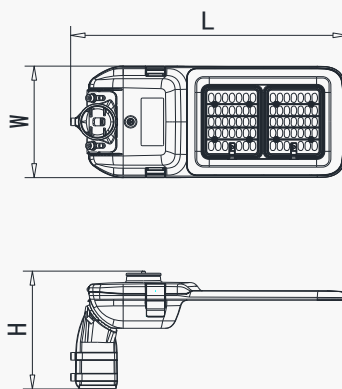
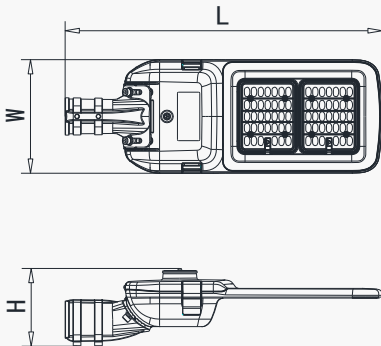
\*This T68N1 has 51pcs LEDs

## Package Information

Model	L (mm)	W (mm)	H (mm)	G.W.* (kg)
T68N1	520	315	235	5.1
T68N1	620	295	250	6.0
T68N2	650	315	235	6.0
T68N3	710	410	230	7.6
T68N4	810	410	230	8.7

\*Values shown are subject to ±5% tolerance.

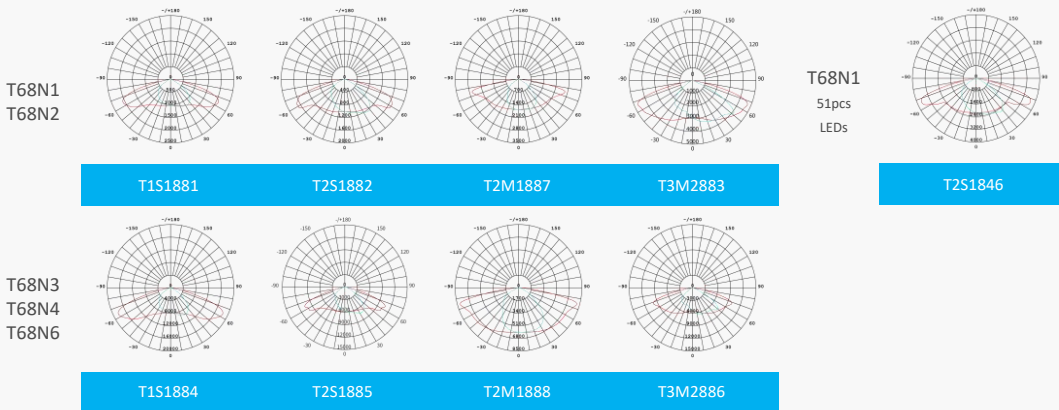
\*This T68N1 has 51pcs LEDs



# T68

LED Street Light

## Distributions



## Accessories

Optional Adapter



Model Name	Mounting O.D. (mm)	Max. Mounting Depth (mm)
L50	Φ40~Φ50	90
L60	Φ55~Φ65	100

Photocell



Photocell	Shorting Cap
-----------	--------------

## Version History

Change Date	Version	Item	Description of Change	
			From	To
2019/08/30	Ver.2.0	Datasheet Release		
2020/01/15	Ver.2.1	Package Information	T68-N1 635*315*240mm	T68-N1 520*315*235mm
			T68-N2 765*315*240mm	T68-N2 650*315*235mm
			T68-N3 830*410*230mm	T68-N3 710*410*230mm
			T68-N4 930*410*230mm	T68-N4 810*410*230mm
2020/06/29	Ver.2.2	Solution of T68N1(51pcs LEDs)		Added
2020/10/20	Ver.2.3	T2M1887 & T2M1888		Added