

T85E

LED Street Light



Specifications

Input Voltage:	100 ~ 277Vac
Input Frequency:	50 / 60Hz
Power Factor (PF):	0.95
Surge Protection Level:	10kV line-earth
Operating Environment:	-40°C ~ +50°C, 10% ~ 90% RH
Color Temperature (CCT):	3000K, 4000K, 5000K, 5700K
Color Rendering Index (CRI):	≥70
Housing:	Die-cast Aluminum
IP Rating of LED Light Engine:	IP68
IP Rating of Engine Compartment:	IP66
IP Rating of Electrical Compartment:	IP66
Impact Protection Level:	IK08
Warranty:	5 Years Limited

Applications

- Roadway lighting
(Urban roads, residential areas, overpasses...)
- Public areas lighting
(Theme parks, squares, parking lots...)

Features

Construction

- Die-cast aluminum housing.
- Die-cast latches provide easy, tool-less access to the electrical compartment.
- Unique patented IP68 (highest protection level) LED light engines.
- IP66 rated engine compartment sealed with tempered glass.

Distribution

- Ergonomic and dedicated lighting distributions are available for various roadway applications.

Control

- Optional NEMA receptacle & photocell/shorting cap.

Finishing Colors

	Gray		Black
	White		Blue



T85E

LED Street Light

Design Features



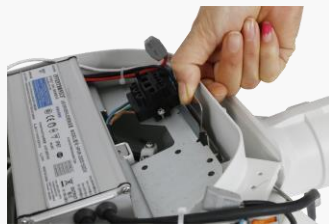
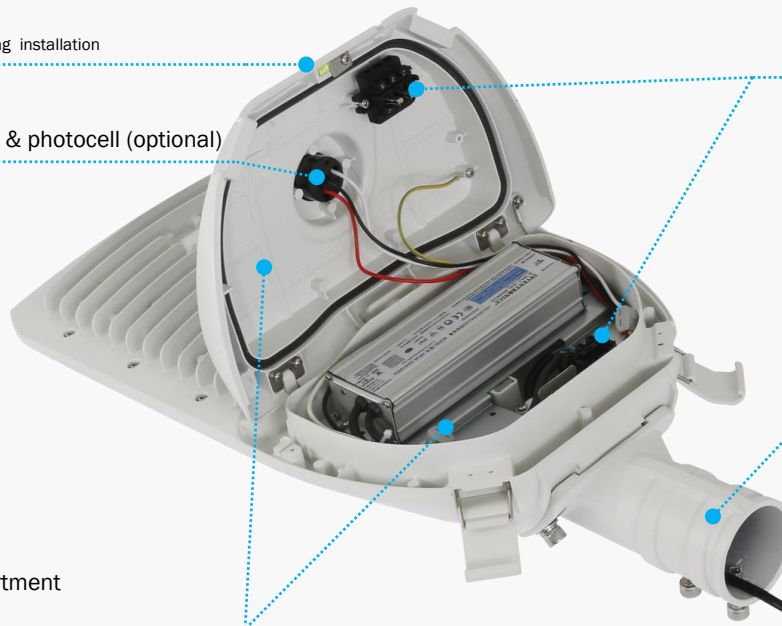
Bubble level
For easy leveling during installation

NEMA receptacle & photocell (optional)

Electrical compartment
IP66 rated

Electrical disconnecter (optional)
Immediate disconnection of power supply

Matched pole diameter
Φ40-50, Φ55-65, Φ66-76



Removable Mounting Plate of Driver
Optional



Tempered Glass

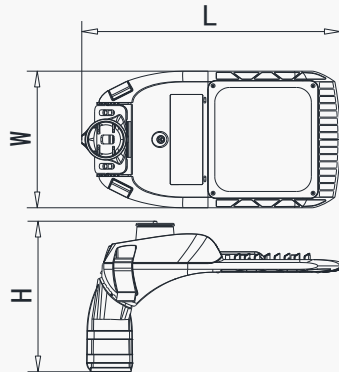
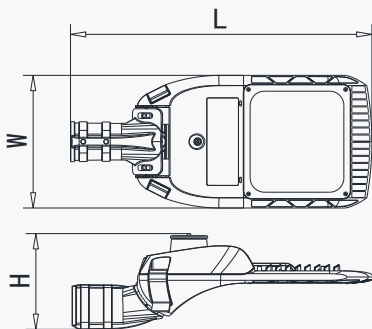


Die-cast Latches

Dimensions

Model	L (mm)	W (mm)	H (mm)	N.W. (kg)
T85E	590	260	185	6.3

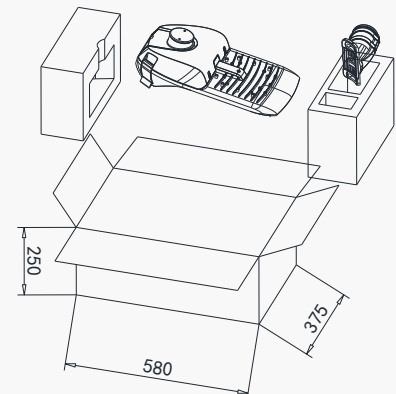
Model	L (mm)	W (mm)	H (mm)	N.W. (kg)
T85E	495	260	285	6.3



Package Information

Model	L (mm)	W (mm)	H (mm)	G.W.* (kg)
T85E	580	375	250	7.4

* Values shown are subject to ±5% tolerance.



T85E

LED Street Light

Ordering Information

Example: T85E-N1-80-BA-36-1854-7040-CM-MO-WH

Luminary Type	Module Qty.	System Power	LEDs Type	Cable Type	Qty. of LEDs	
T Street light 85E 85E series	N1 1pcs Integral LED module	80 80W 90 90W 100 100W	B 5050 C 3030	A CCC+VDE C PSE H UL X OTHER	36 36pcs 99 99pcs	
Lens Code	CRI	CCT	Brand of LEDs	Driver Brand	Housing Color	
1856 Type I Medium 1855 Type II Medium 1854 Type II Short	1853 Type I Medium 1852 Type I Medium 1851 Type II Short	60 Ra≥60 70 Ra≥70 80 Ra≥80 90 Ra≥90	30 3000K 40 4000K 50 5000K 57 5700K	LU LUMILEDS LN LUMINUS CM CUSTOMIZATION XX OTHER	IN INVENTRONICS MO MOSO XX OTHER	BK Black WH White BU Blue GY Gray
5050 LEDs	3030 LEDs					

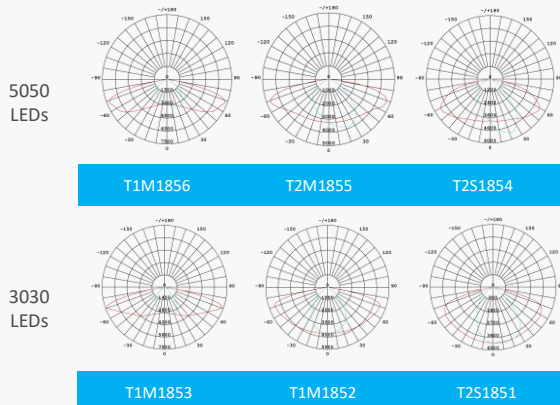
Performance

Model	Power (W)	5050 LEDs			3030 LEDs	
		Efficacy (lm/W)	Lumens (lm)	Efficacy (lm/W)	Lumens (lm)	
T85E	80	140	11,200	120	9,600	
	90	137	12,330	117	10,530	
	100	133	13,300	113	11,300	

*Above values are calculated based on the product with CCT over 3000K, values of 3000K are 5% lower than above values.

*Values shown are subject to ±5%~±8% tolerance.

Distributions



Accessories



Photocell

Shorting Cap

Version History

Change Date	Version	Item	Description of Change	
			From	To
2019/06/26	Ver. 2.0	Datasheets release		