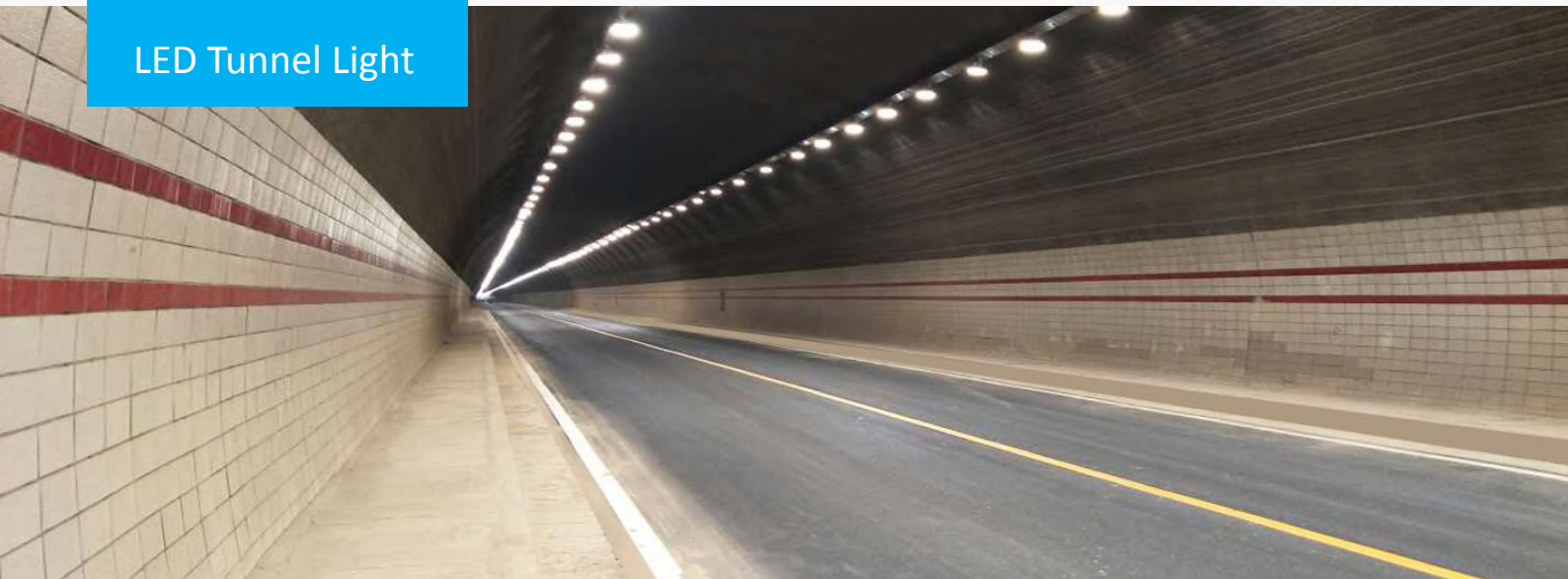


TS9A


LED Tunnel Light



Specifications

Input Voltage:	100 ~ 277Vac
Input Frequency:	50 / 60Hz
Power Factor:	0.95
Surge Protection Level:	10kV line-earth
Working Environment:	-40°C ~ +50°C, 10% ~ 90% RH
CCT:	3000K, 4000K, 5000K, 5700K
CRI:	≥70
Housing:	Die Casting, Tempered Glass
IP Rating of LED Engine:	IP68
IP Rating of Luminaire:	IP65
Warranty:	5 Years Limited

Finishing Colors

	Gray		Black
	White		

Applications

- Tunnel lighting (tunnel, underpass, corridor...)

Features

Construction

- Die-cast aluminum housing.
- Unique patented IP68 LED light engines.
- Whole structure heating dissipation design with best thermal conduction and radiation.
- Tempered glass cover, easy access to cleaning.

Distribution

- Ergonomic and dedicated lighting distributions are available for various roadway applications.

Mounting

- U-shaped brackets adjustable in $\pm 45^\circ$.

Photos



TS9A

LED Tunnel Light

Ordering Information

Example: TS9A-N1-30-CA-12-1415-7040-LU-CM-BK

Luminary Type	Module Qty.	System Power	LED Package	Cable Standard	Qty of LEDs
TS Tunnel light	N1 1 module	30 30W	A 3535	A CCC+VDE C PSE H UL X Other	9 9pcs
9A 9A series			C 3030		12 12pcs
Lens Code		CRI & CCT	Brand of LEDs	Driver Brand	Housing Color
1614 Type I Short		7030 Ra≥70, CCT 3000K	LU LUMILEDS SS Samsung XX OTHER	CM Customized XX OTHER	BK Black WH White GY Gray
1414 Type II Short		7040 Ra≥70, CCT 4000K			
1415 Type II Short		7050 Ra≥70, CCT 5000K			
1616 Tunnel lighting		7057 Ra≥70, CCT 5700K			

Performance

Model	Power (W)	LED Qty (pcs)	3535 LEDs		3030 LEDs	
			Efficacy (lm/W)	Flux (lm)	Efficacy (lm/W)	Flux (lm)
TS9A	30	9	103	3090	12	3300

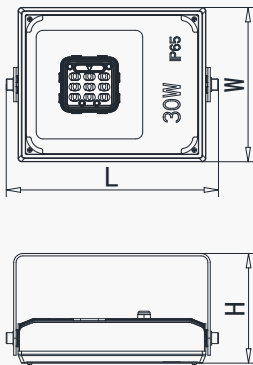
Notes: 1. Typical values above. Based on transmittance of glass as 90%, efficacy values are subject to tolerance of 5%.

2. Efficacy of Ra70 3000K is 5% lower than that of CCT≥4000K.

Dimensions

Model	L (mm)	W (mm)	H (mm)	N.W.* (kg)
TS9A	310	225	165	3.7

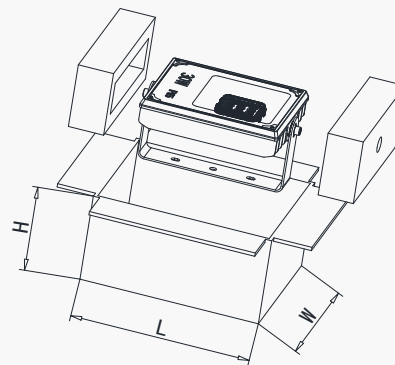
Note: Typical values above. Tolerance of N.W.: ±5%. Tolerance of L/ W/ H: ±5mm.



Package Information

Model	L (mm)	W (mm)	H (mm)	G.W.* (kg)
TS9A	365	310	155	4.2

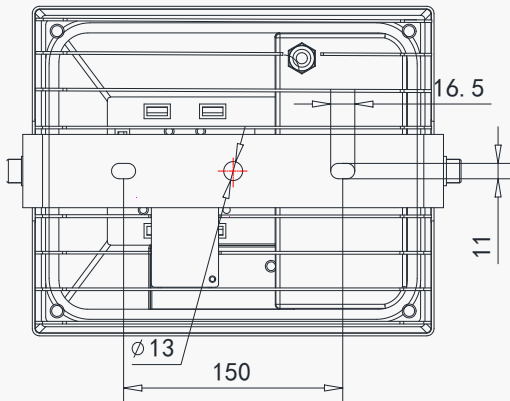
Note: Typical values above. Tolerance of G.W.: ±5%. Tolerance of L/ W/ H: ±5mm



TS9A

LED Tunnel Light

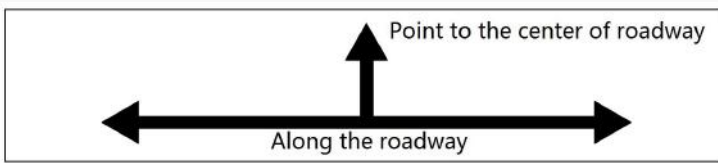
Mounting Holes Dimensions



Notes: Typical values above, subject to tolerance of $\pm 0.5\text{mm}$ on dimensions

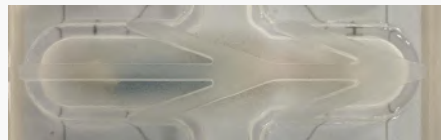
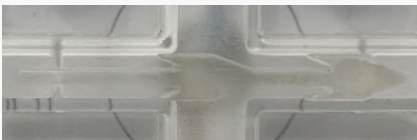
Mounting Direction Instructions

1. If there are arrows like below on the fixture, follow the direction of the arrow in the middle as pointing to the center of the roadway instead of borders.

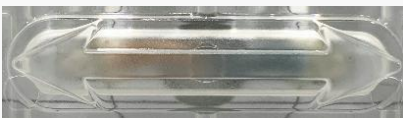


2. If there is no figure of arrows like above on the fixture, check arrows on LED module lenses.

2.1. When there is only one arrow direction on the lens, follow the direction of arrows as pointing to the center of roadway instead of borders.



2.2. When there are opposite arrows on the lens, follow the direction as arrows being along the roadway.



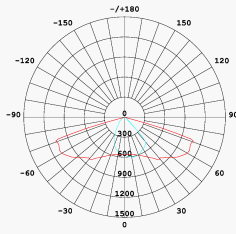
3. If there is no figure of arrow on LED module lens, it is a symmetric lighting distribution solution. No particular direction. Only adjust the brackets.

TS9A

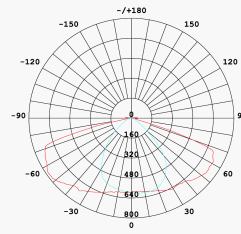
LED Tunnel Light

Distributions

3535 LEDs

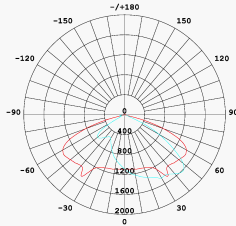


T1S1614

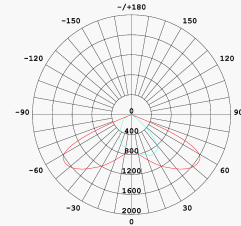


T2S1414

3030 LEDs



T2S1415



TL1616

Version History

Change Date	Version	Description of Change		
		Item	From	To
2019/11/22	Ver.2.0	Datasheet in new format	/	/