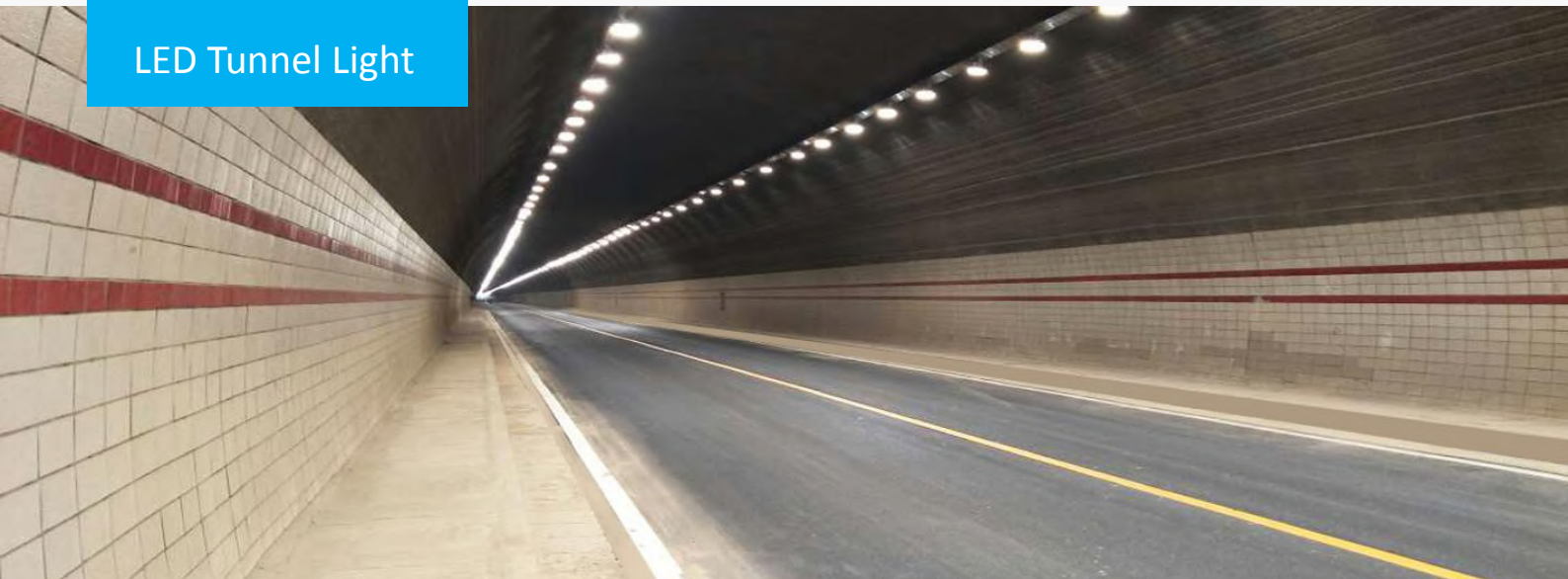


TS9




LED Tunnel Light



Specifications

Input Voltage:	100 ~ 277Vac
Input Frequency:	50 / 60Hz
Power Factor:	0.95
Surge Protection Level:	10kV line-earth
Working Environment:	-40°C ~ +50°C, 10% ~ 90% RH
CCT:	3000K, 4000K, 5000K, 5700K
CRI:	≥70
Housing:	Die Casting, Tempered Glass
IP Rating of LED Engine:	IP68
IP Rating of Luminaire:	IP66
Warranty:	5 Years Limited

Finishing Colors

	Gray		Black
	White		

Applications

- Tunnel lighting (tunnel, underpass, corridor...)

Features

Construction

- Die-cast aluminum housing.
- Unique patented IP68 LED light engines.
- Whole structure heating dissipation design with best thermal conduction and radiation.
- Tempered glass cover, easy access to cleaning.

Distribution

- Ergonomic and dedicated lighting distributions are available for various roadway applications.

Mounting

- U-shaped brackets adjustable in $\pm 45^\circ$.

Photos



TS9B/C/D/E

LED Tunnel Light

Ordering Information

Example: TS9C-1-30-M7B-BH-18-5983-7040-CM-MO-BK

Luminary Type	Module Qty.	System Power	LED Module	LED Package	Cable Standard	Qty of LEDs per Module
TS Tunnel light	1 1 module 2 2 modules	30 30W 40 40W 50 50W 150 150W	M7A M7A module M7B M7B module M7C M7C module M7D M7D module	A 3535 B 5050	A CCC+VDE C PSE H UL X Other	9 9pcs 18 18pcs 24 24pcs 36 36pcs
Lens Code		CRI & CCT		Brand of LEDs	Driver Brand	Housing Color
(3535 LEDs)						
5892 Type II Short		7030 Ra≥70, CCT 3000K	LU LUMILEDS	MO MOSO	BK Black	
5882 Type II Short	5983 Tunnel lighting	7040 Ra≥70, CCT 4000K	CM LUMILEDS Customized	IN INVENTRONICS	WH White	
2841 Type II Short	2943 Tunnel lighting	7050 Ra≥70, CCT 5000K	SS Samsung	PH PHILIPS	GY Gray	
2861 Type II Short	2963 Tunnel lighting	7057 Ra≥70, CCT 5700K	XX OTHER	MW MEAN WELL XX Others		

Performance

Model	Power (W)	3535 LEDs			5050 LEDs		
		LED Module	Efficacy (lm/W)	Flux (lm)	LED Module	Efficacy (lm/W)	Flux (lm)
TS9B	30	1pc M7A-XAH-9	103	3090	-	-	-
TS9C	30	1pc M7B-XAH-18	115	3450	1pc M7B-XBH-18	140	4200
	40	1pc M7C-XAH-24	117	4680	1pc M7C-XBH-24	143	5720
	50		113	5650		138	6900
	60		107	6420		132	7920
TS9D	40	1pc M7C-XAH-24	117	4680	1pc M7C-XBH-24	143	5720
	50		113	5650		138	6900
	60		107	6420		132	7920
TS9D	40	1pc M7D-XAH-36	125	5000	1pc M7D-XBH-36	155	6200
	50		120	6000		150	7500
	60		115	6900		143	8580
	80		105	8800		135	10800
TS9E	80	2pcs M7C-XAH-24	123	9840	2pcs M7C-XBH-24	149	11920
	100		117	11700		144	14400
	120		112	13440		138	16560
TS9E	80	2pcs M7D-XAH-36	130	10400	2pcs M7D-XBH-36	162	12960
	100		125	12500		156	15600
	120		120	14400		149	17880
	150		115	17250		138	20700

Notes: 1. Typical values above. Based on transmittance of glass as 90%, efficacy values are subject to tolerance of 5%-8%.

2. Efficacy of Ra70 3000K is 5% lower than that of CCT≥4000K.

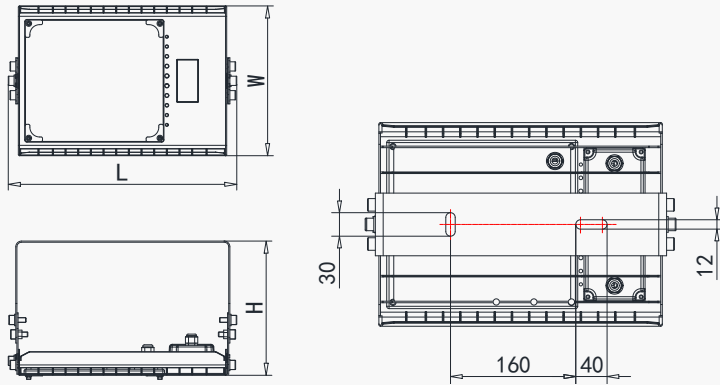
TS9B/C/D/E

LED Tunnel Light

Dimensions

Model	L (mm)	W (mm)	H (mm)	N.W.* (kg)
TS9B	330	220	235	2.6
TS9C	400	260	235	3.9
TS9D	435	300	235	5.3
TS9E	530	300	235	6.9

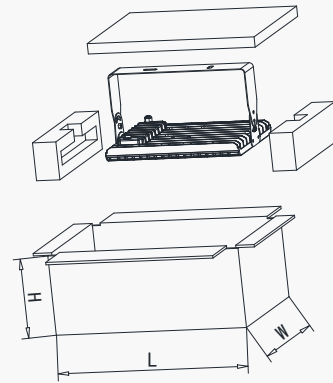
Notes: 1. Typical values above. Tolerance of N.W.: ±5%. Tolerance of L/ W/ H: ±5mm.
2. Tolerance of mounting holes dimensions in the drawing below: ±0.5mm



Package Information

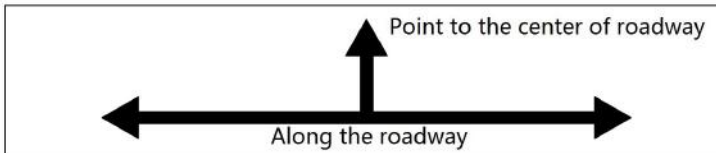
Model	L (mm)	W (mm)	H (mm)	G.W.* (kg)
TS9B	360	305	310	3.1
TS9C	450	345	310	4.7
TS9D	485	385	310	6.2
TS9E	580	385	310	8.1

Notes: Typical values. Tolerance of G.W.: ±5%. Tolerance of L/ W/ H: ±5mm



Mounting Direction Instructions

1. If there are arrows like below on the fixture, follow the direction of the arrow in the middle as pointing to the center of the roadway instead of borders.

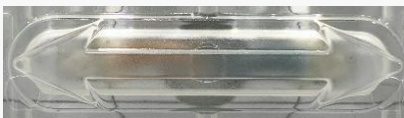


2. If there is no figure of arrows like above on the fixture, check arrows on LED module lenses.

2.1. When there is only one arrow direction on the lens, follow the direction of arrows as pointing to the center of roadway instead of borders.



2.2. When there are opposite arrows on the lens, follow the direction as arrows being along the roadway.



3. If there is no figure of arrow on LED module lens, it is a symmetric lighting distribution solution. No particular direction. Only adjust the brackets.

TS9B/C/D/E

LED Tunnel Light

Distributions

Model	TS9B	TS9C	TS9C/ TS9D/ TS9E	TS9D/ TS9E
	M7A-XAH-9	M7B-XAH-18	M7C-XAH-24	M7D-XAH-36
	<div style="display: flex; justify-content: space-around;"> T2S5892 T2S5882 T2S2841 T2S2861 </div>			
3535 LEDs				
	-	M7B-XBH-18	M7C-XBH-24	M7D-XBH-36
	<div style="display: flex; justify-content: space-around;"> - TL5983 TL2943 TL2963 </div>			
5050 LEDs				

Version History

Change Date	Version	Item	Description of Change	
			From	To
2019/11/22	Ver.2.0	Datasheet in new format	/	/
2020/09/25	Ver.2.1	TS9B-1-30-M7A-BH-8 solution	Available	Cancelled
		TS9F-4	Available	Limited